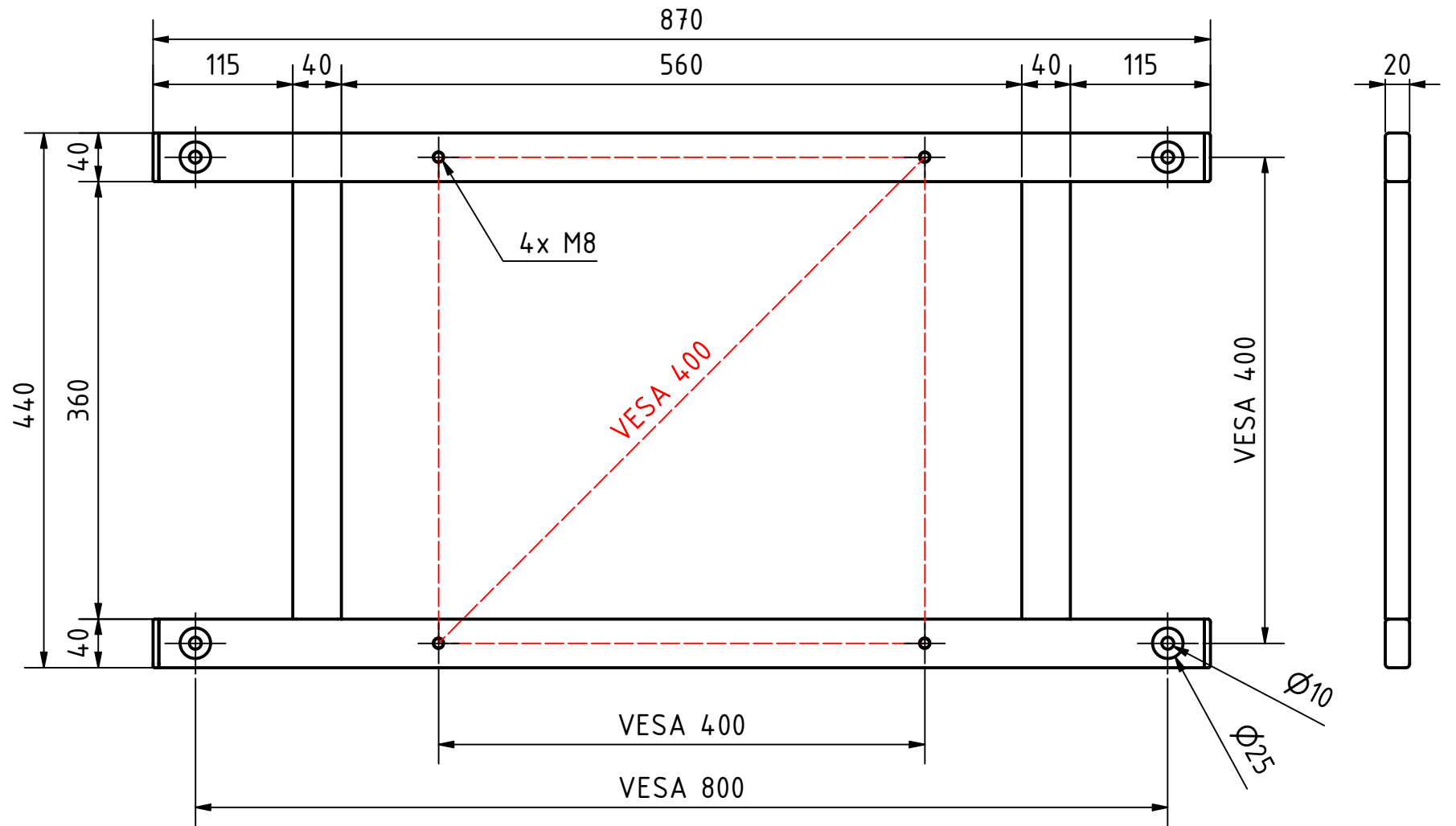
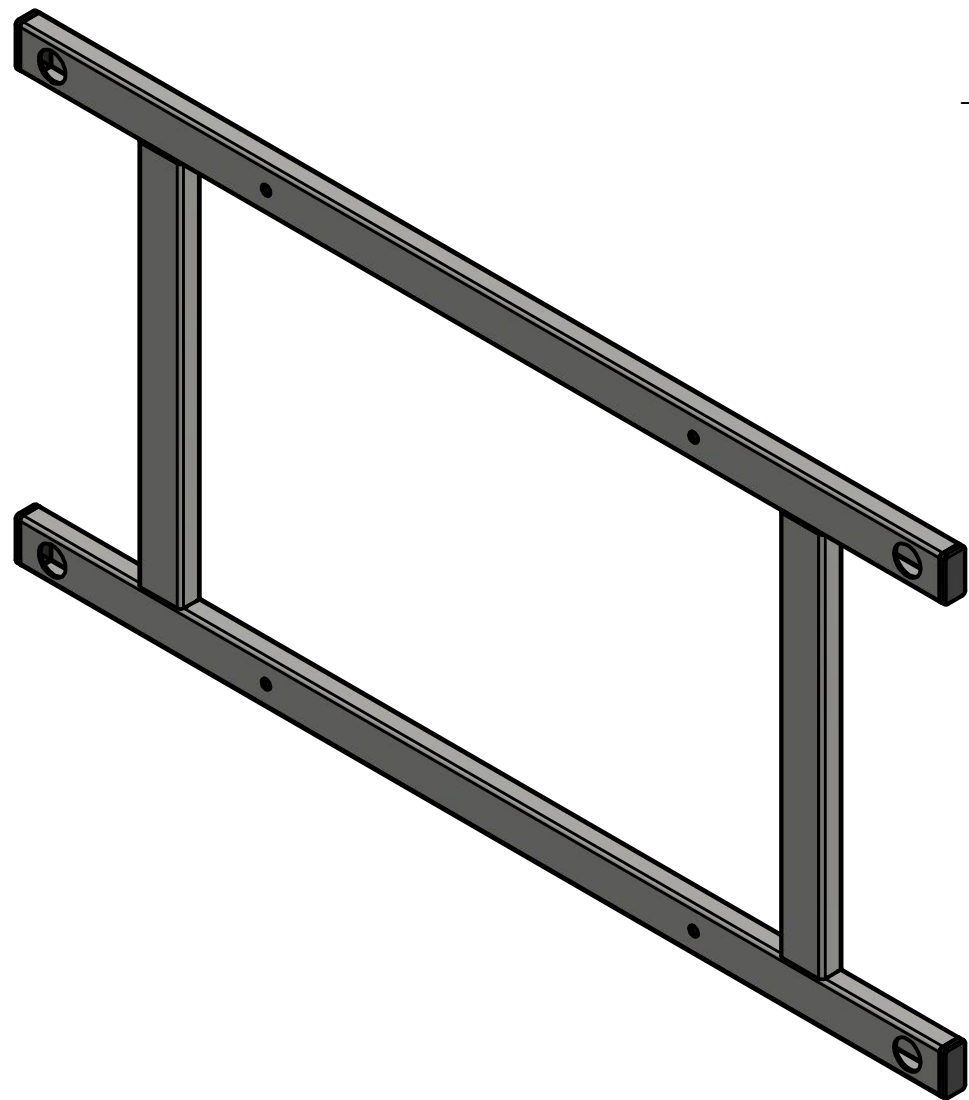


Important

Installation only by qualified technicians.
 Always inspect this product prior to any installation and check for damages etc.
 Always use all four 10 mm mounting holes.
 Always use all four M8 threads
 Always use the correct fasteners:
 4x M8x20 Screws DIN 912, 4x M8 washers DIN 125
 Only use with compatible displays.
 Make sure the structure carrying the overall weight is stable.
 Only for indoor usage.
 Only for vertical usage. (no tilting etc.)
 Only use in the pictured orientation.
 Do not exceed the maximum load weight of **100 kg**.



		© COPYRIGHT EXACT SOLUTIONS This print and the information shown thereon, is the property of EXACT SOLUTIONS. It may not be delivered to others nor reproduced for general circulation without the written consent of the EXACT SOLUTIONS.		Material:	Revision: 00
				Supplier:	Weight: 4,500 kg
		Date	Name	Title: Adapter Frame for Displays VESA 800x400 to 400x400	
		Author	20.02.2020 Frank Scholven		
		Checked			
		Approved		PartNr.: ABD-8444	
		Dimensions in mm Angles ±X.X° Unless specified, tolerance is ±0,1mm		SCALE: 1 : 5 A3	
Status	Change log	Date	Name	Number of pages: 1/1	