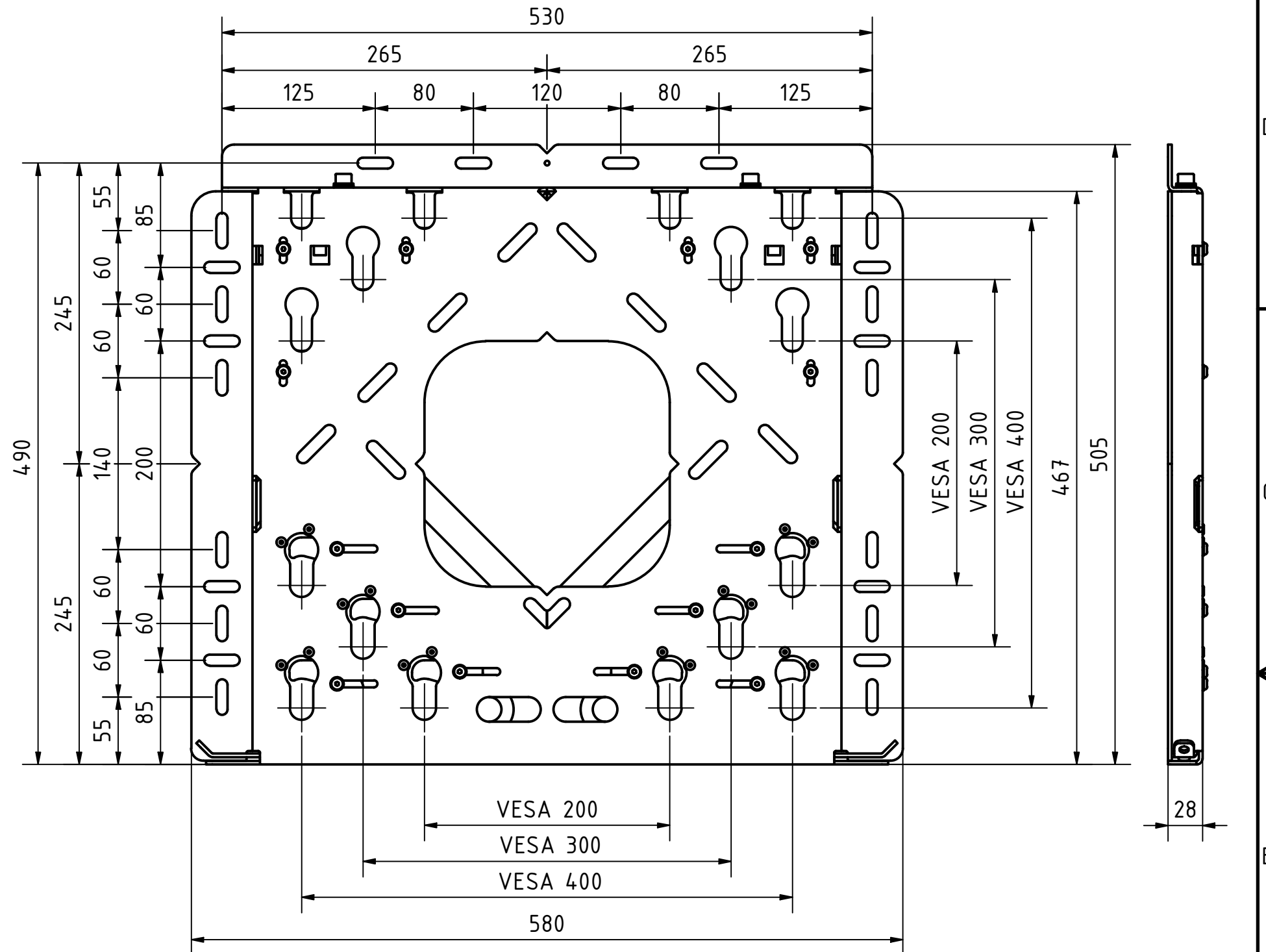
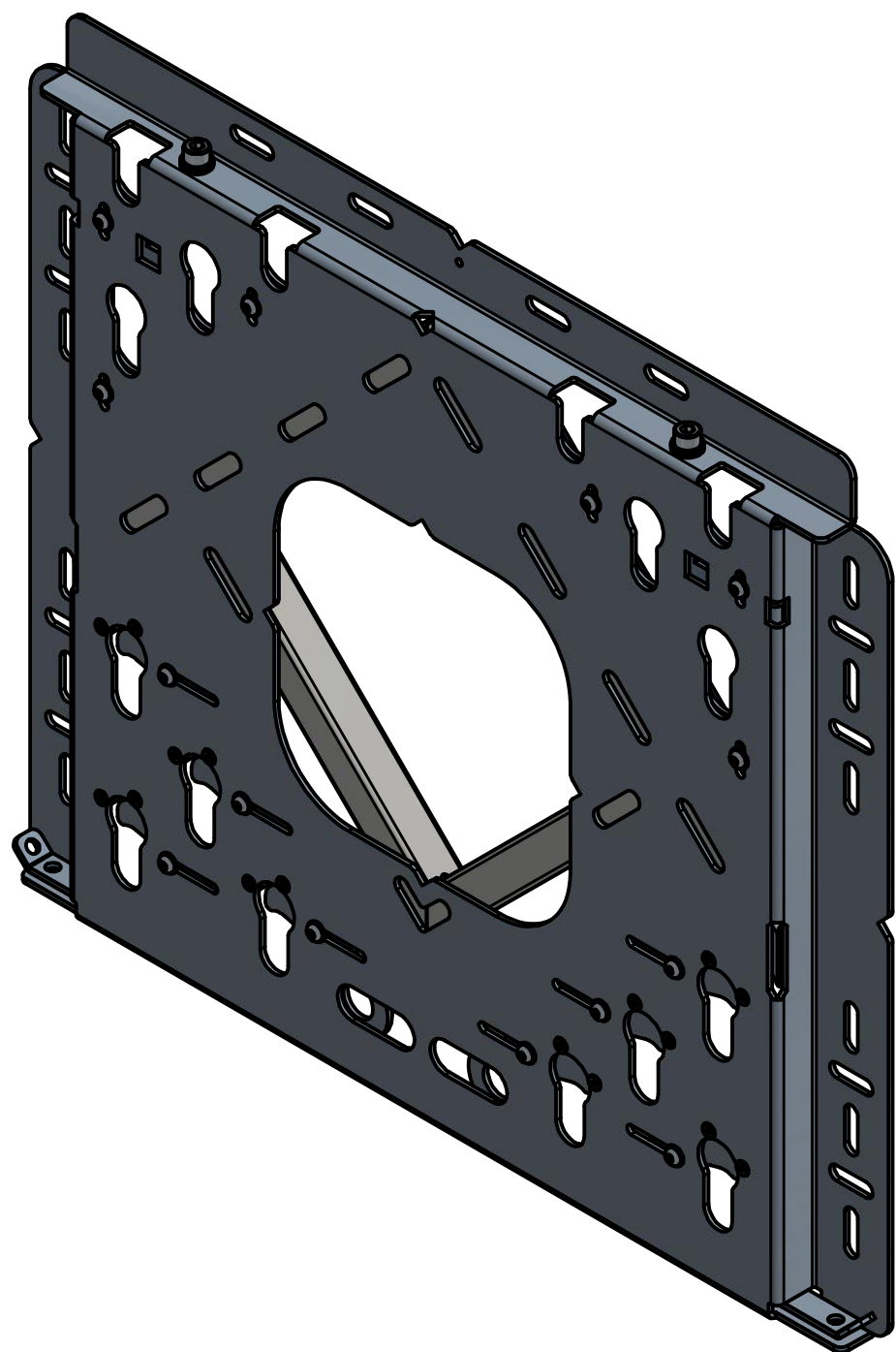


Important

Installation only by qualified technicians.
 Always inspect this product prior to any installation and check for damages etc.
 Always use all mounting holes.
 Always use the correct fasteners.
 Only use with compatible displays.
 Make sure the structure carrying the overall weight is stable.
 Only for indoor usage.
 Only for vertical usage. (no tilting etc.)
 Only use in the pictured orientation. (90° turning not allowed)
 Do not exceed the maximum load weight of **135 kg**.



		© COPYRIGHT EXACT SOLUTIONS This print and the information shown thereon, is the property of EXACT SOLUTIONS. It may not be delivered to others nor reproduced for general circulation without the written consent of the EXACT SOLUTIONS.		Material:	Revision: 00
				Weight: 10,000 kg	
		Supplier:		Title: Wall mount for Displays multi VESA, up to 135 kg	
	Date	Name			
	Author	06.04.2020 Frank Scholven			
	Checked			PartNr.: WMD-900	
	Approved				
		Dimensions in mm Angles ±X.X° Unless specified, tolerance is ±0,1mm		SCALE: 1 : 4 A3	
Status	Change log	Date	Name	Number of pages: 1/1	