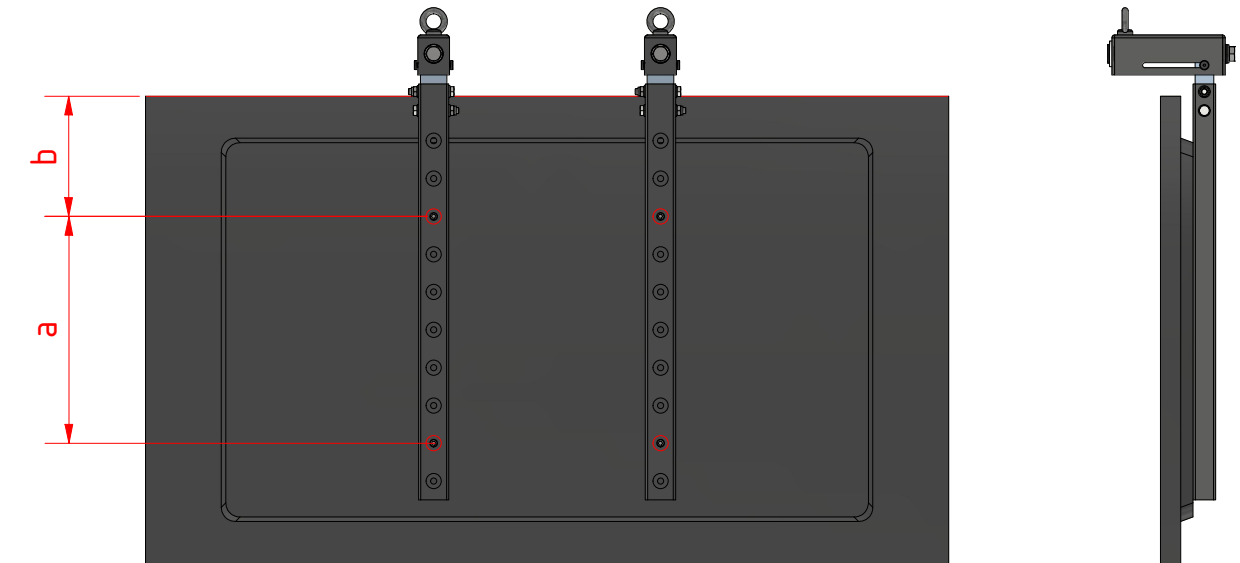
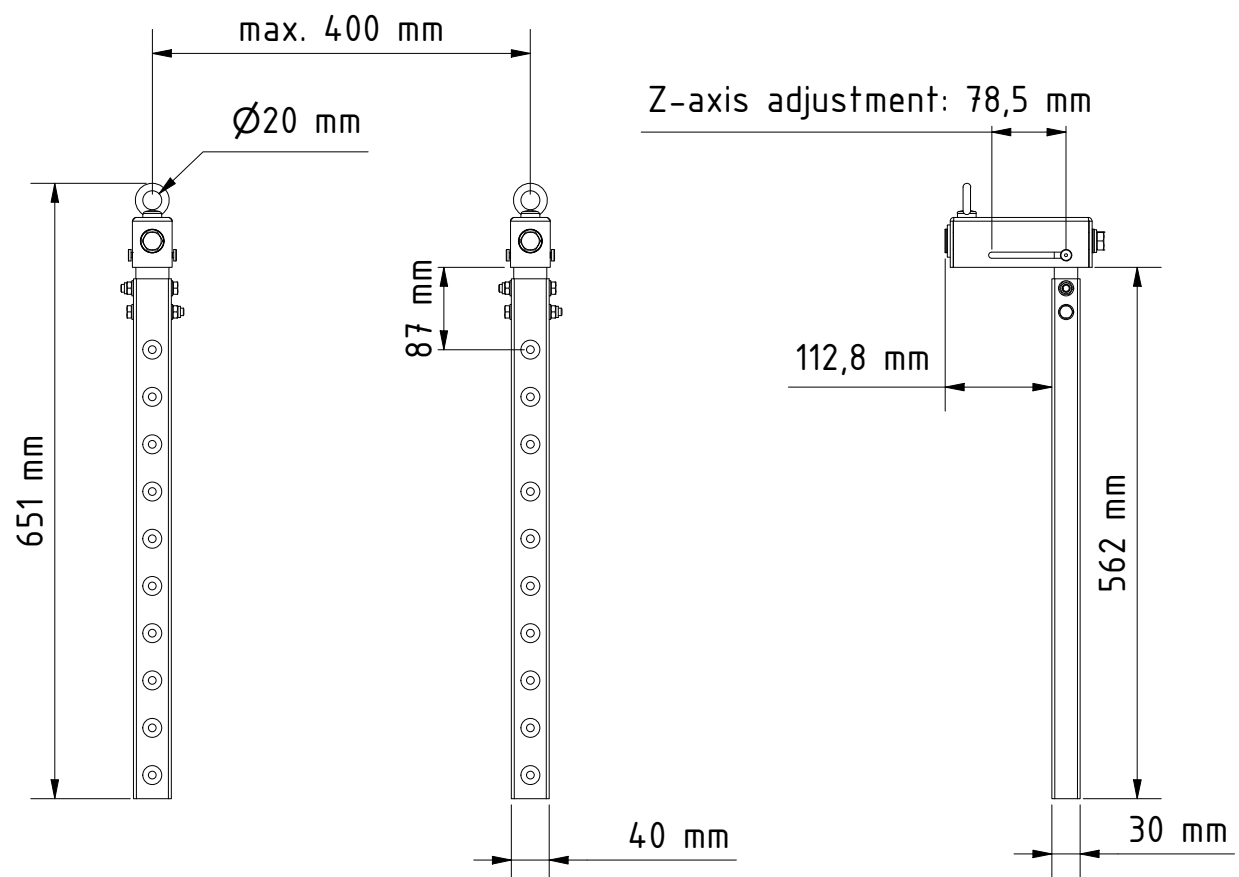


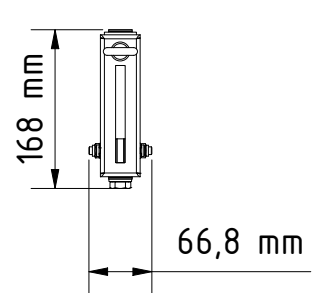
6 5 4 3 2 1

D
C
B
A



VESA Compability

a (VESA)	b (min)	b (max)
200 x 200	85 mm	335 mm
300 x 300	85 mm	235 mm
400 x 400	85 mm	135 mm



	<small>© COPYRIGHT EXACT SOLUTIONS This print and the information shown thereon, is the property of EXACT SOLUTIONS. It may not be delivered to others nor reproduced for general circulation without the written consent of the EXACT SOLUTIONS.</small>		Material:	Revision:	
				Weight: 5,4 kg	
	Date	Name	Title: Display Rigghalter S V2		
	Author	victor.ibanescu			
	Checked				
	Approved		Part Nr.: E21_TM-DUNI-S-V2		
			SCALE: 1 : 8 A3		
Status	Change log	Date	Name	Number of pages: 1/1	

6 5 4 3 2 1