





# LED STACKING

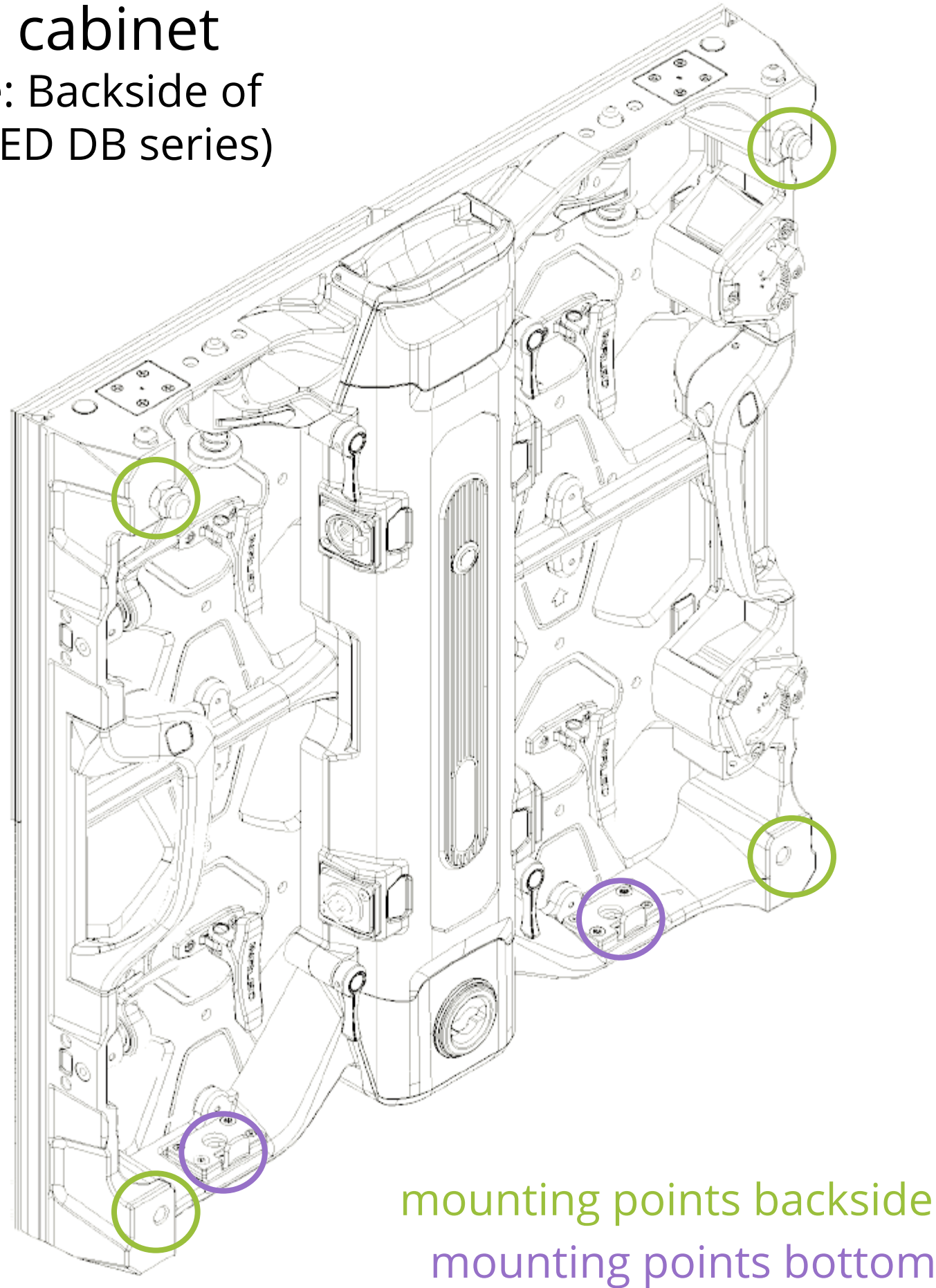
---

By **EXACT solutions**

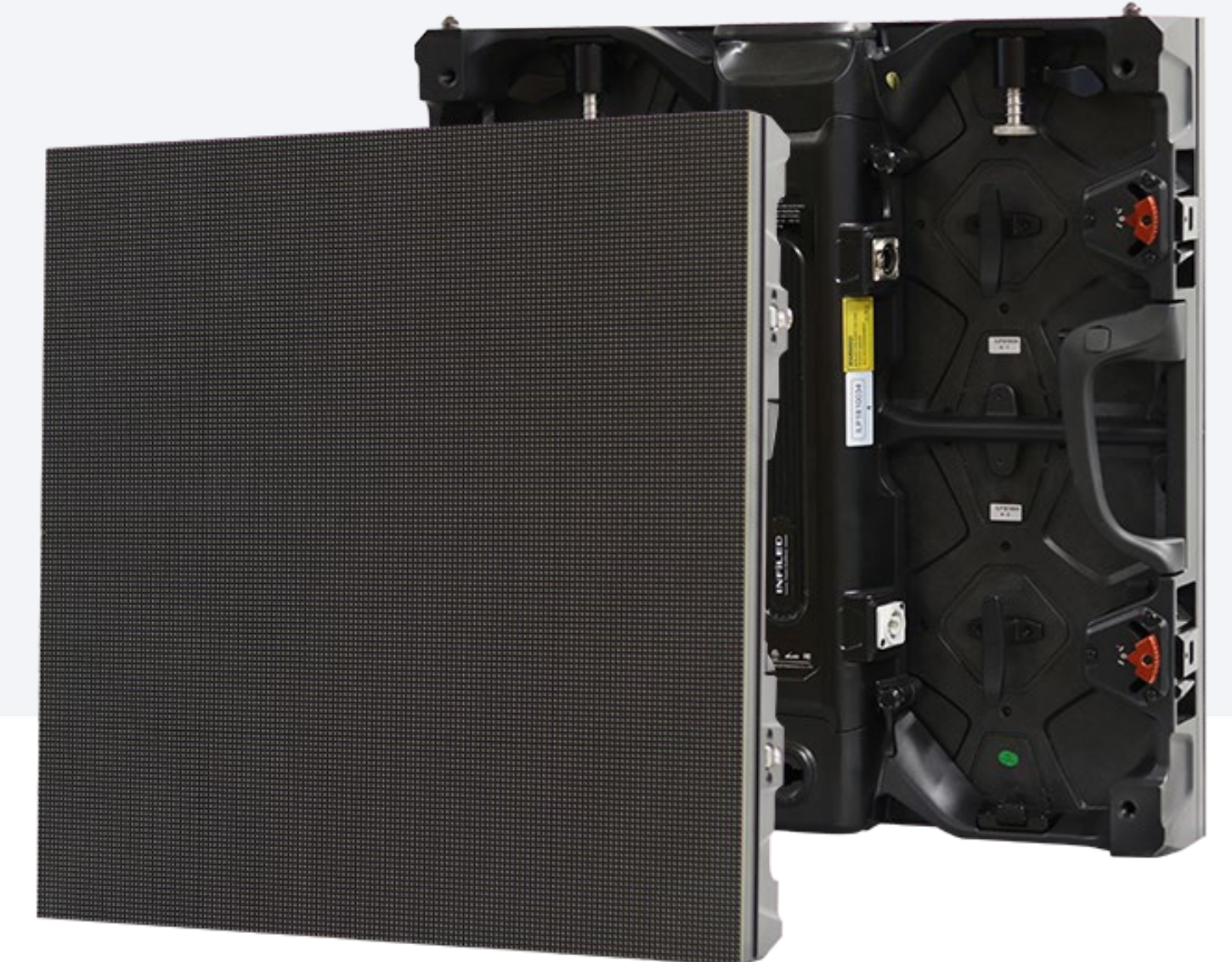
---

▶ **Overview LED cabinets**

**LED cabinet**  
(here: Backside of  
INFiLED DB series)



- LED cabinet contains LED modules (4 units mostly)
- Cabinets of different LED types can differ in:
  - Dimensions (width, height, depth)
  - Weight and center of gravity
  - Mounting points at backside and bottom
- There are some common sizes which are used for the most LED types, for example:
  - 500 x 500
  - 480 x 480
  - 466 x 466
- Cabinets are connected with LED Stacking system at the bottom and at the backside





 **EXso LED Stacking**

## Just 4 System Components

1. Ski + Extension
2. Base
3. Stacker + Clamps
4. Diagonal

## Different to other LED Stackings

- Ultimate rental product – modular system – easy and fast set up
- Just a few parts depend on LED cabinet type
- Each part can be replaced to upgrade existing parts to other LED cabinet types
- Innovative and rental proof design
- If cabinets expand due to heat they can move as much as they need without having visible gaps between module columns
- Stacker can move with Base Plates and LED cabinets due to Ski with movable stacker connection
- Bases can be attached to each other very fast with one hand move and without tools
- Static calculation with detailed stacking information for each set up



## ▶ Components

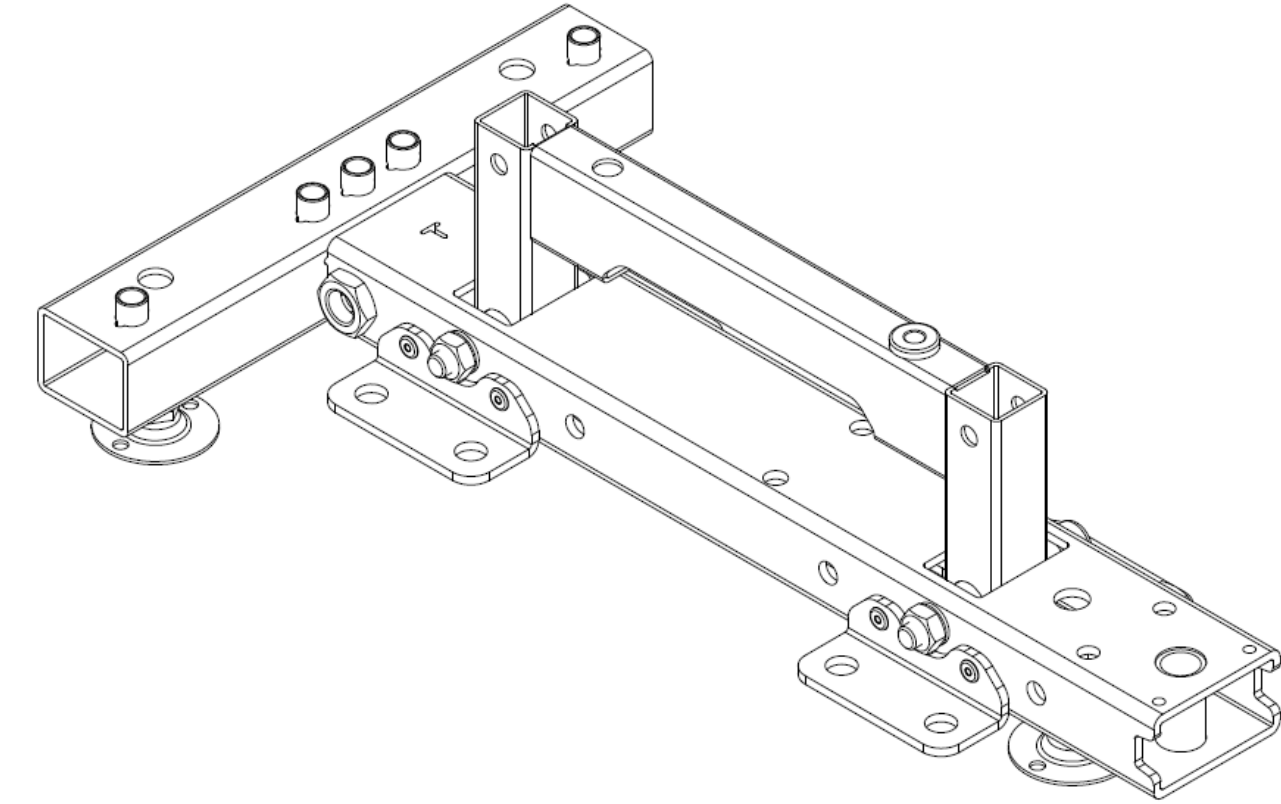
### Ski

- The Ski is a standard part, it fits for all LED cabinet types
- Article number: LED-SKI

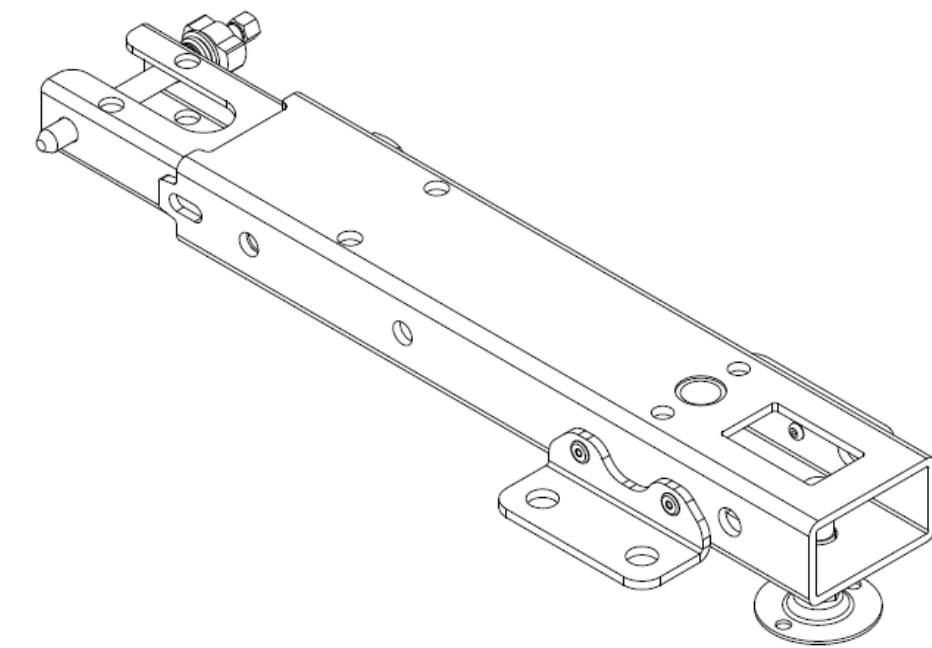
### Extension

- There are two versions: Small and Large
- The large one is needed if the LED wall is larger than 8 modules height
- Besides that, the Extensions are standard parts and fit for all LED cabinet types
- Article number: LED-EXN-S, LED-EXN-L

LED-SKI



LED-EXN-S



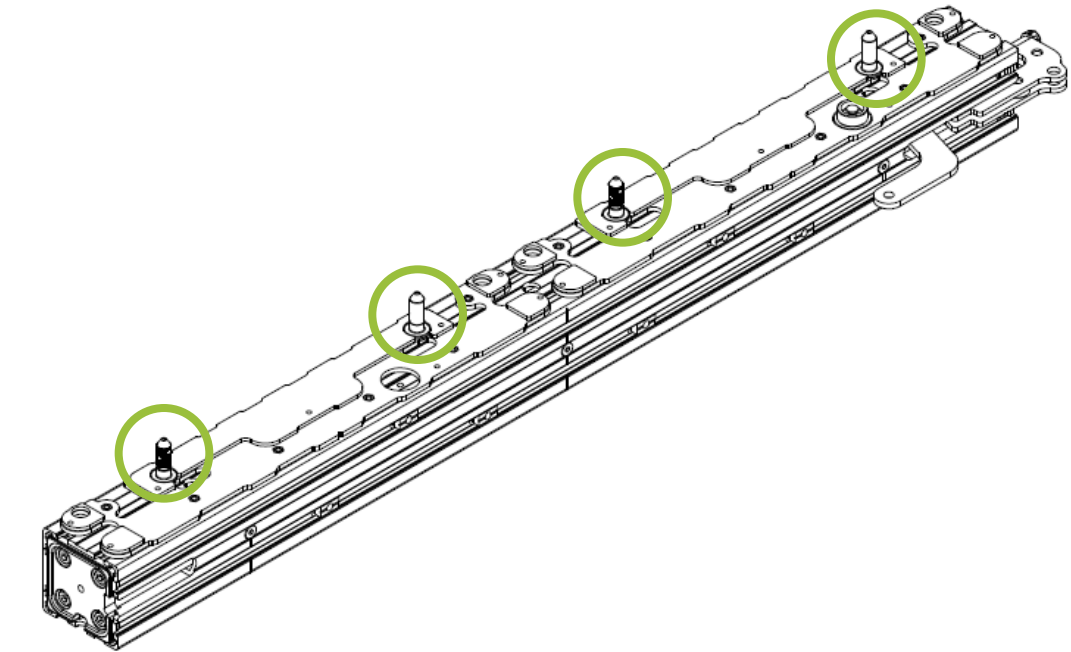
▶ **Components**

Connection bolts  
Connection to LED cabinet  
(mounting points bottom)

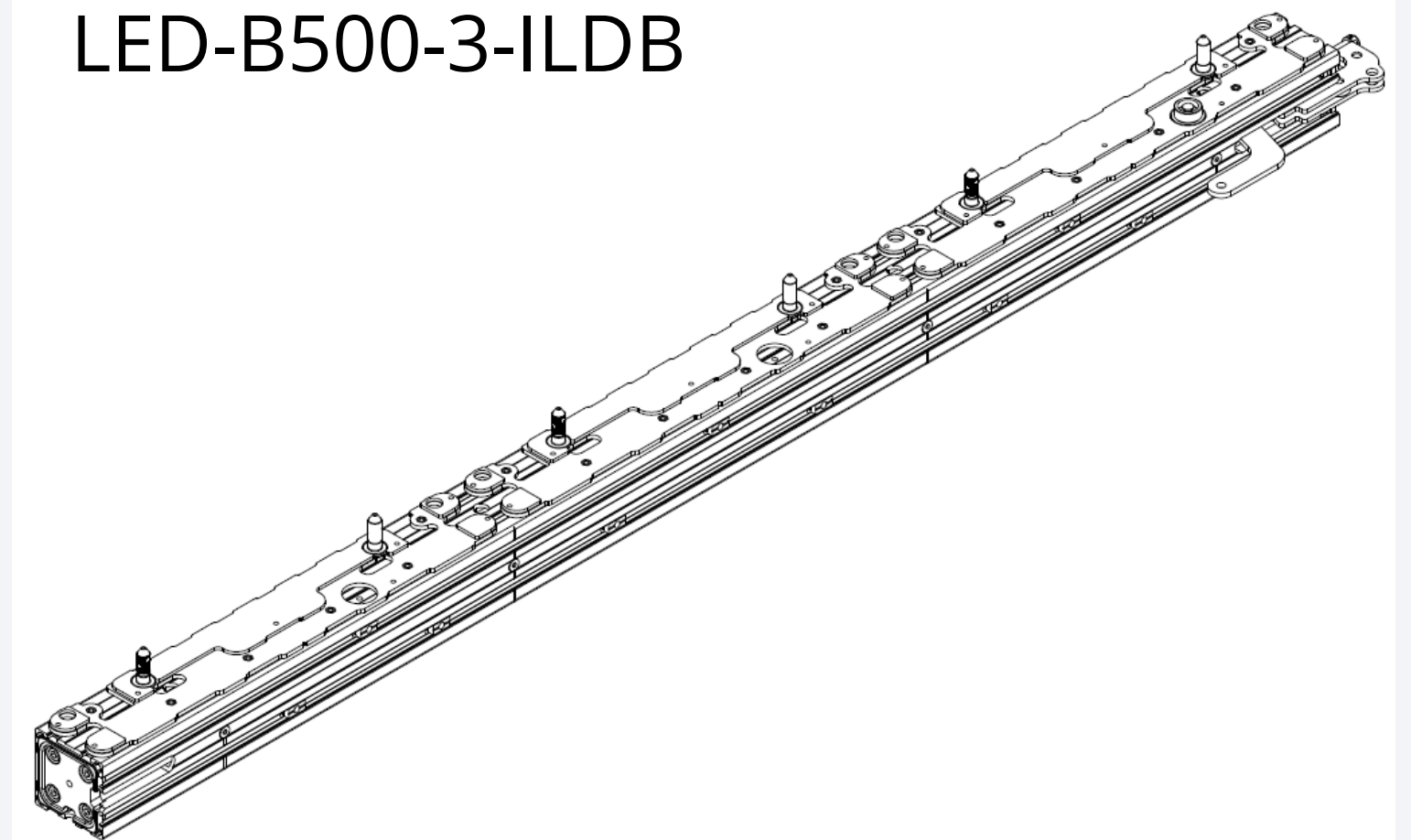
**Base**

- The Base consists of the Base Profile and the Base Plates
  - The Base Profile is a standard part
  - The Base Plates are made for specific LED cabinet types
- There are always three versions, for 1 LED cabinet (for curved applications), for 2 LED cabinets and for 3 LED cabinets
- For example article number: LED-B500-2-ILDB
  - „2-ILDB“ stands for 2 cabinets of INFiLED DB series
  - „B500“ stands for the standard Base Profile of 500mm
- Just as article number: LED-B500-3-ILDB
  - „3-ILDB“ stands for 3 cabinets of INFiLED DB series
  - „B500“ stands for the standard Base Profile of 500mm

LED-B500-2-ILDB



LED-B500-3-ILDB



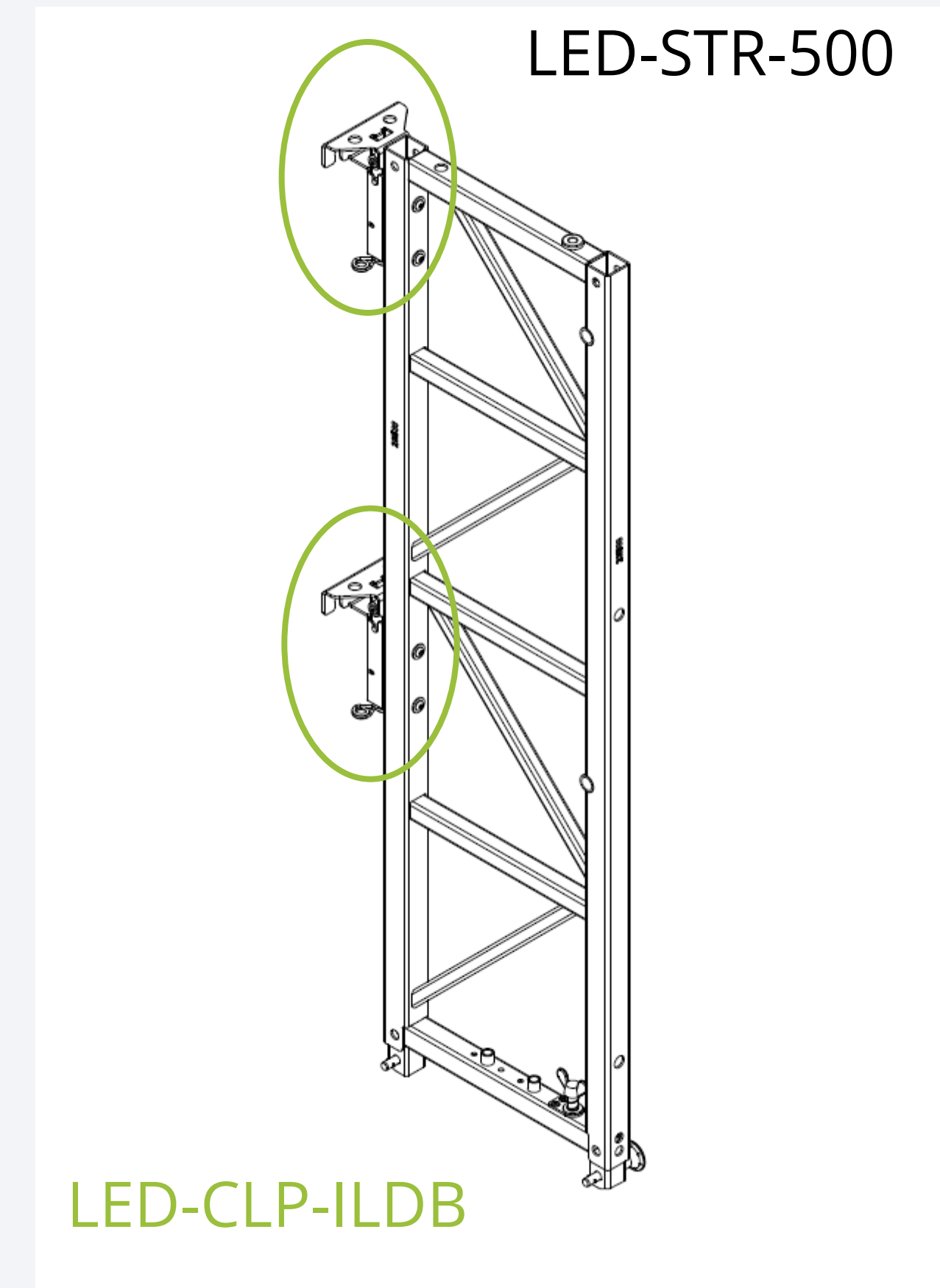
▶ **Components**

## Stacker

- There are four versions for different LED cabinet heights
- So far there are 300mm, 466mm, 480mm and 500mm versions
- Article numbers: LED-STR-300, LED-STR-466, LED-STR-480, LED-STR-500

## Clamp

- There is a Clamp for each specific LED cabinet type
- The Clamp connects the LED cabinet (mounting points backside) to the Stacker
- For example article number: LED-CLP-ILDB
  - „ILDB“ stands for INFiLED DB series





▶ **Components**

**Diagonal**

- So far there are 300mm, 466mm and 480mm/500mm versions
- There are small and large versions for each of them
  - The small one is made for 2 rack units of the LED cabinet height
    - For LED walls up to 7 modules
  - The large one is made for 4 rack units of the LED cabinet height
    - For 8 modules or higher
  
- For example article number: LED-DIL-L500f
  - „L500“ stands for 4 times rack unit of a 480 or 500mm cabinet
  - „f“ stands for foldable (the large 500 version is the only one that is foldable)
  
- Article numbers: LED-DIL-S300, LED-DIL-S466, LED-DIL-S500, LED-DIL-L466, LED-DIL-L500f

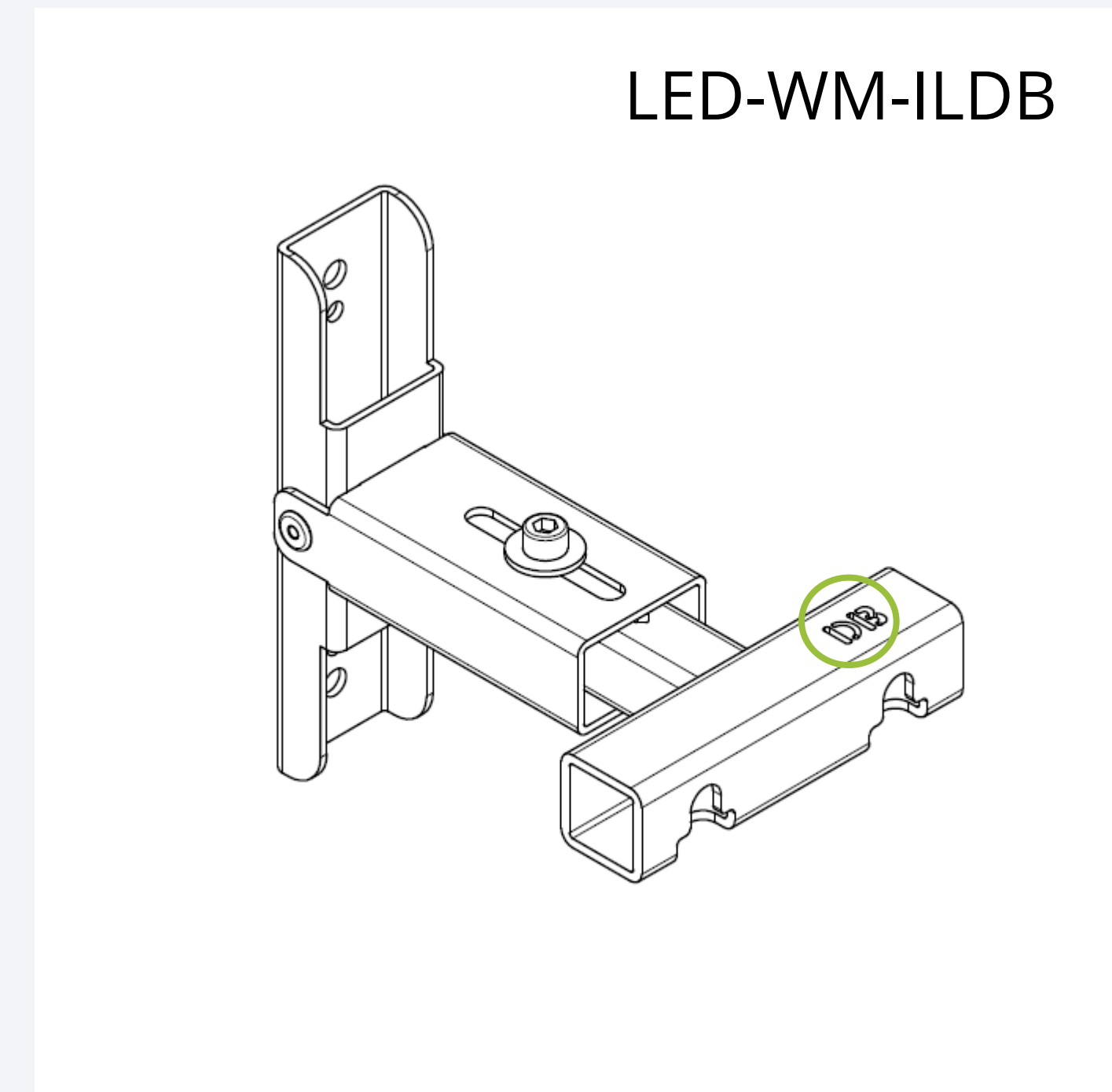






### Wall Mount (optional)

- There is a Wall Mount for each specific LED cabinet type
- The Wall Mount connects the LED cabinet to the wall if there is not enough space for the Stacker
- For example article number: LED-WM-ILDB
  - „WM“ stands for Wall Mount
  - „ILDB“ stands for INFiLED DB series



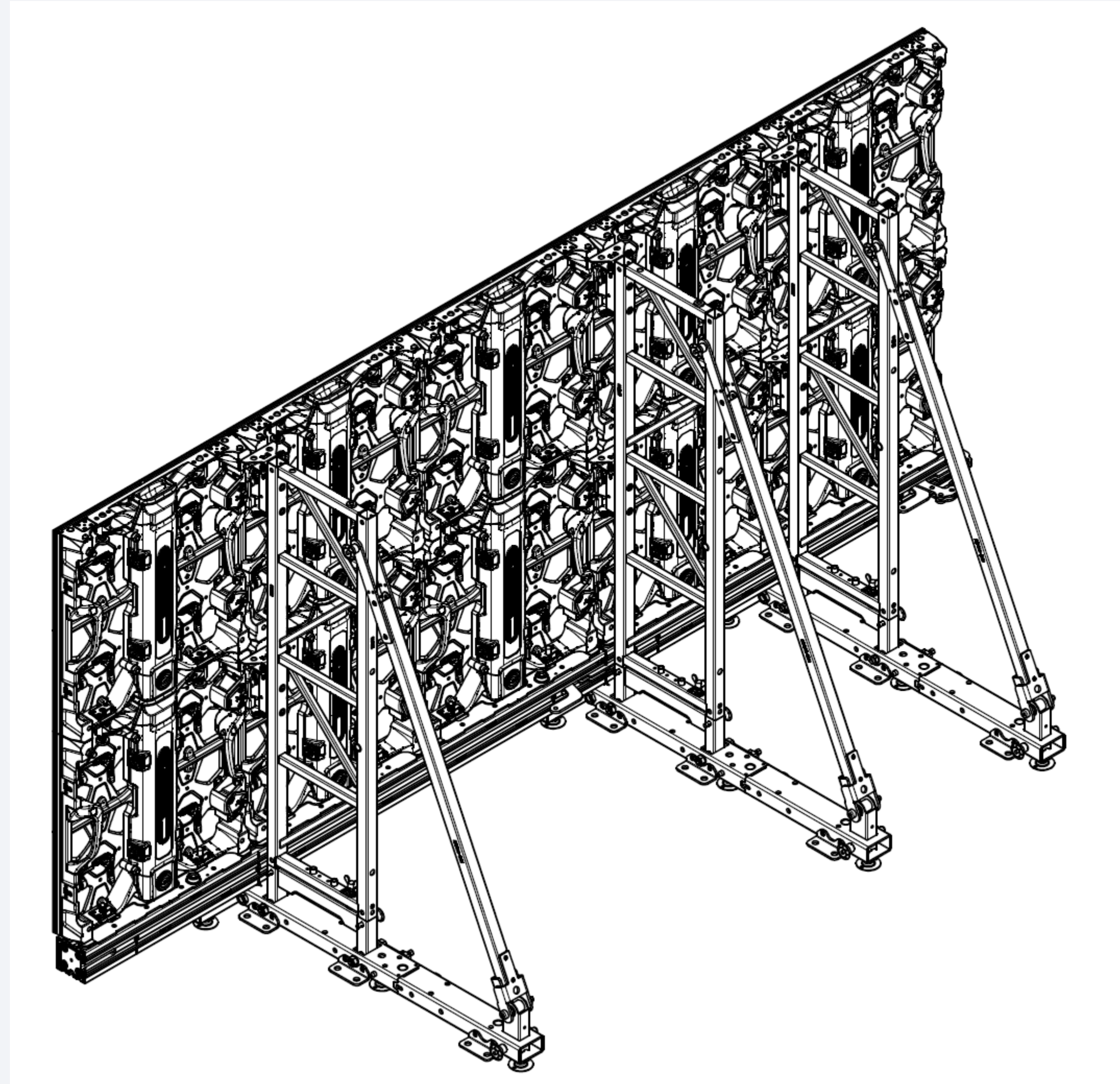
Marking for each Module type



▶ **Example: 5 x 2 LED wall Infiled DB series (DB3.47, DB2.9)**

- Stacker + Clamps

- Base

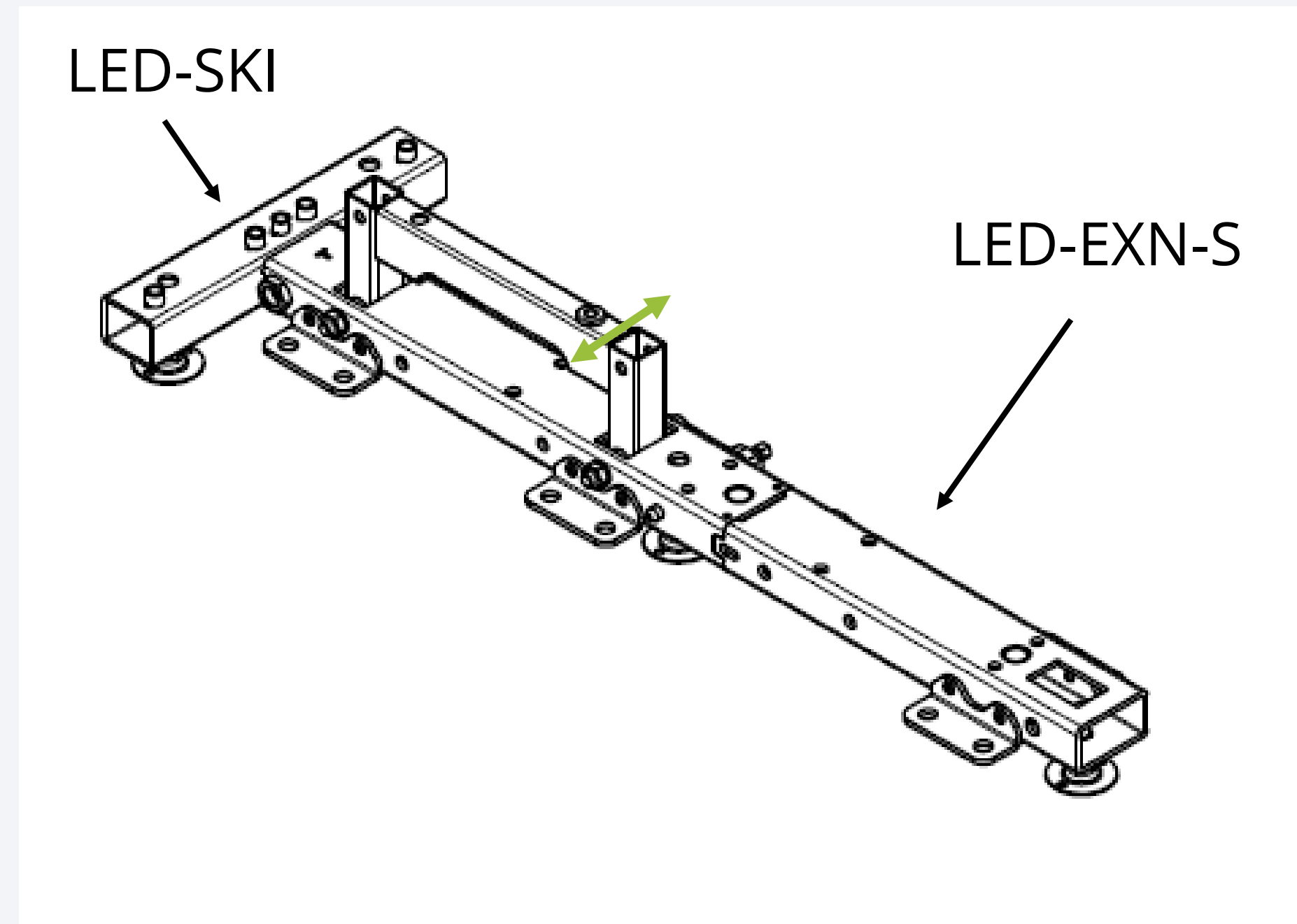


- Diagonal

- Ski + Extension



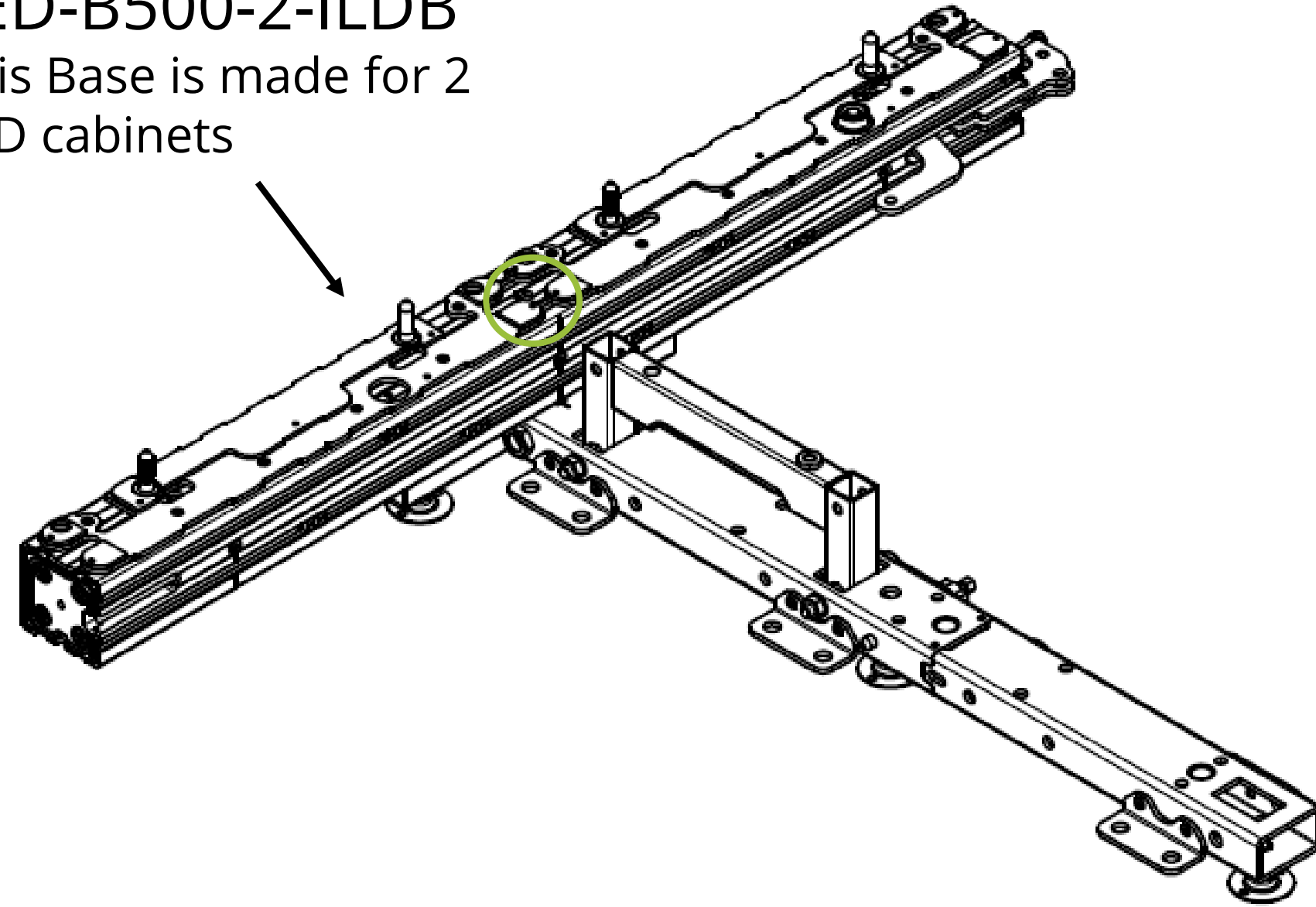
▶ **Step 1 – Placing Ski and attaching Extension**



**Movable stacker connection**  
Stacker can move with cabinets if they expand due to heat and during set up

▶ **Step 2 – Attaching Base**

**LED-B500-2-ILDB**  
This Base is made for 2  
LED cabinets



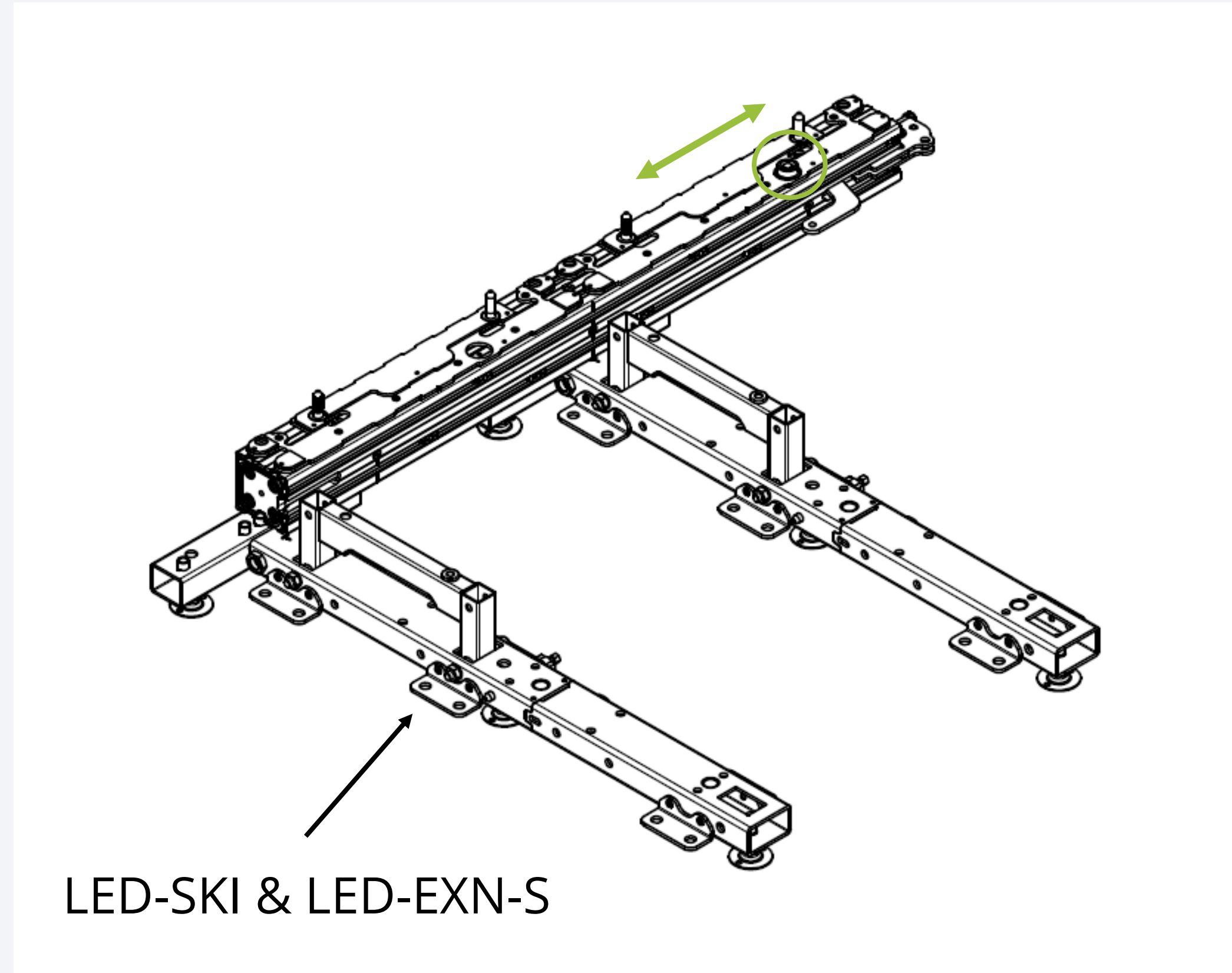
**Easy mounting**  
Mounting Base to Ski with  
just one screw





▶ **Step 3 – Attaching second Ski & Extension**

**Movable Base Plates**  
Enables cabinets to move if they expand due to heat or during set up

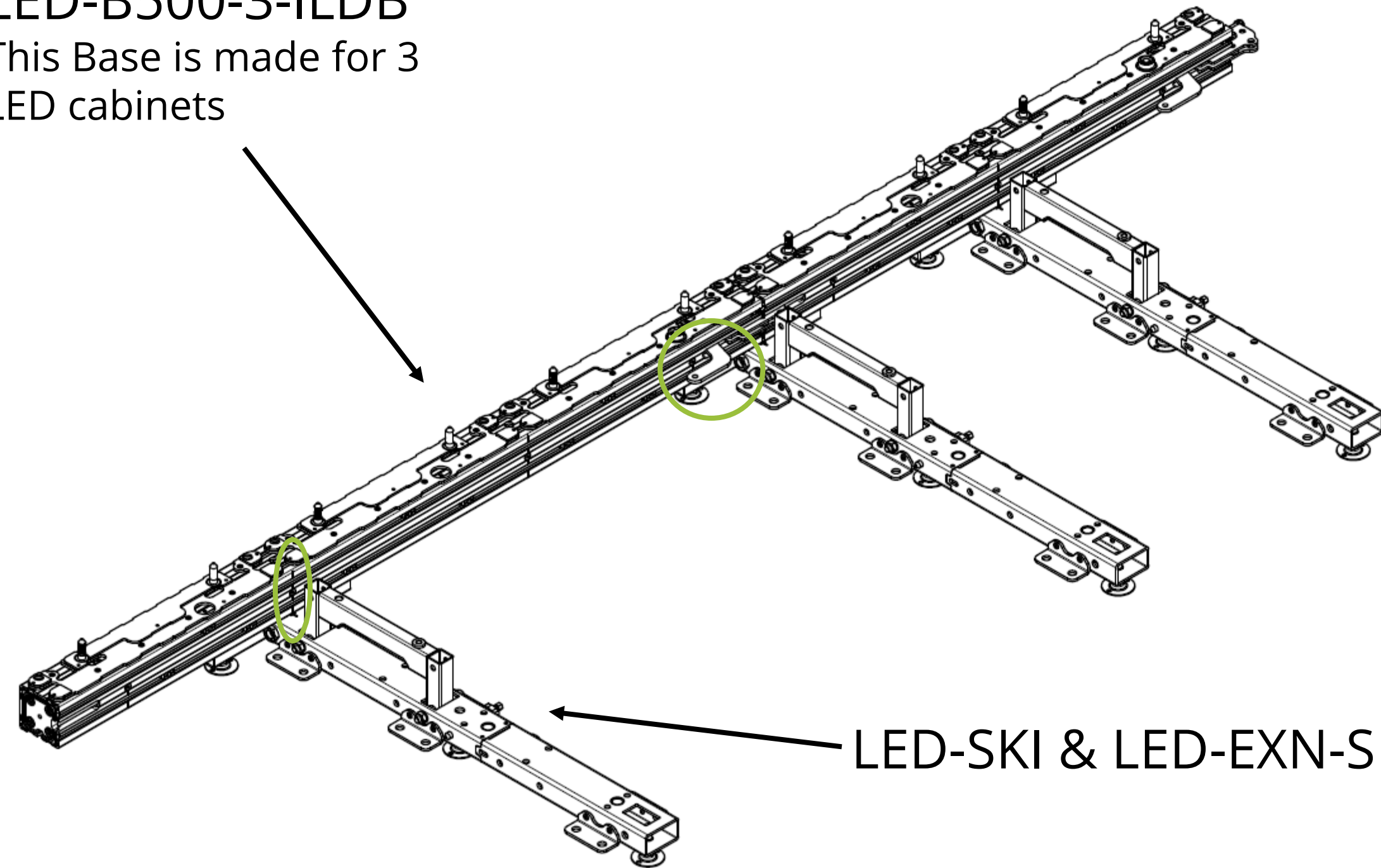


**Fixing screw**  
Easy Fixing at base profile without tools if Base Plate shall not move (usually in the middle of the LED wall)

▶ **Step 4 – Attaching third Ski & Extension and second Base**

**Markings at Base**  
Immediately showing  
where a Ski can be  
mounted

**LED-B500-3-ILDB**  
This Base is made for 3  
LED cabinets

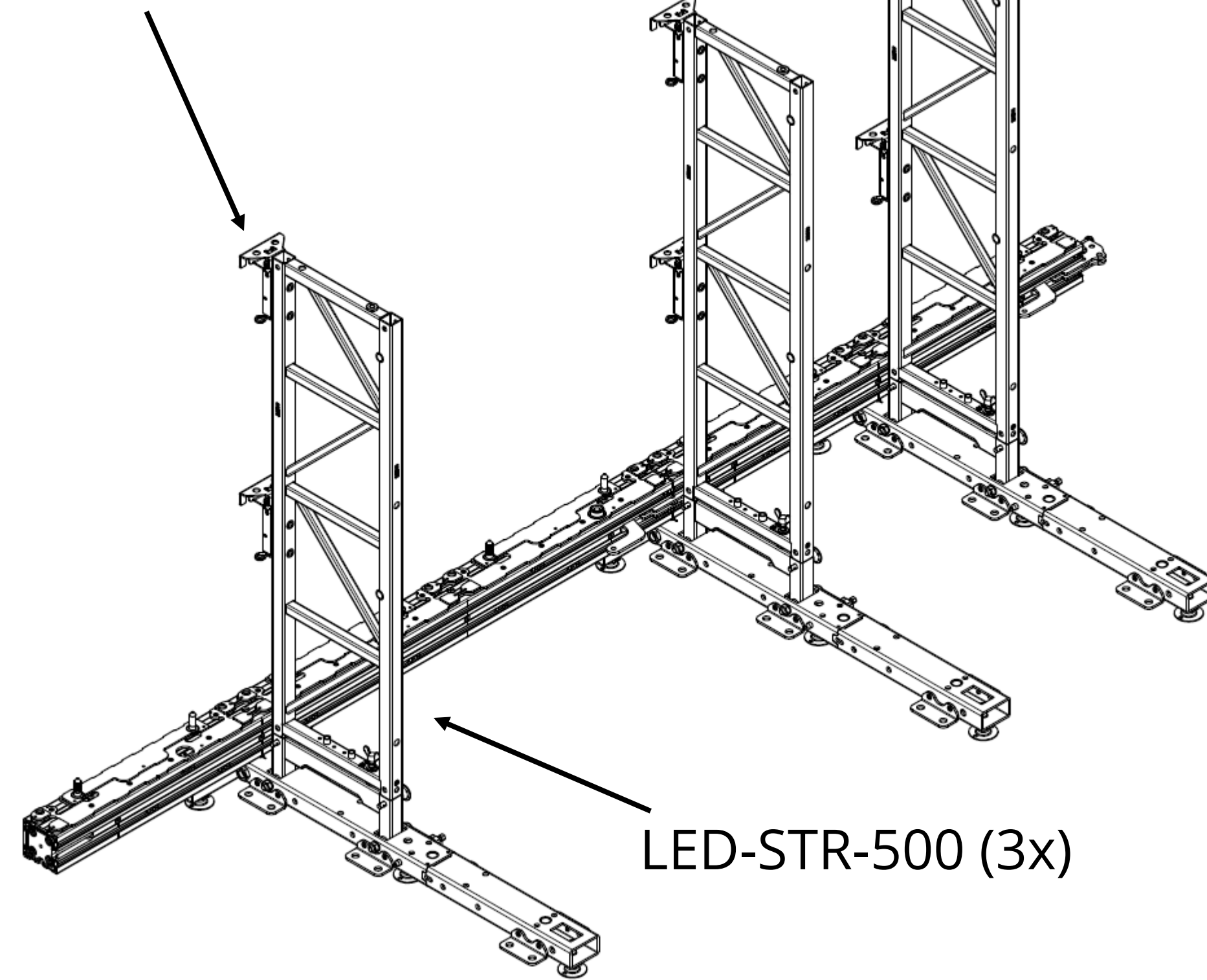


**Easy Base Connection**  
Bases can be attached to each  
other easy and very fast with  
one hand move and without  
tools due to our coupling  
system

▶ **Step 5 – Attaching Stacker and Clamps**

**Tool-less Clamp connection**  
Clamps are inserted in Stacker without tools

LED-CLPILDB (6x)

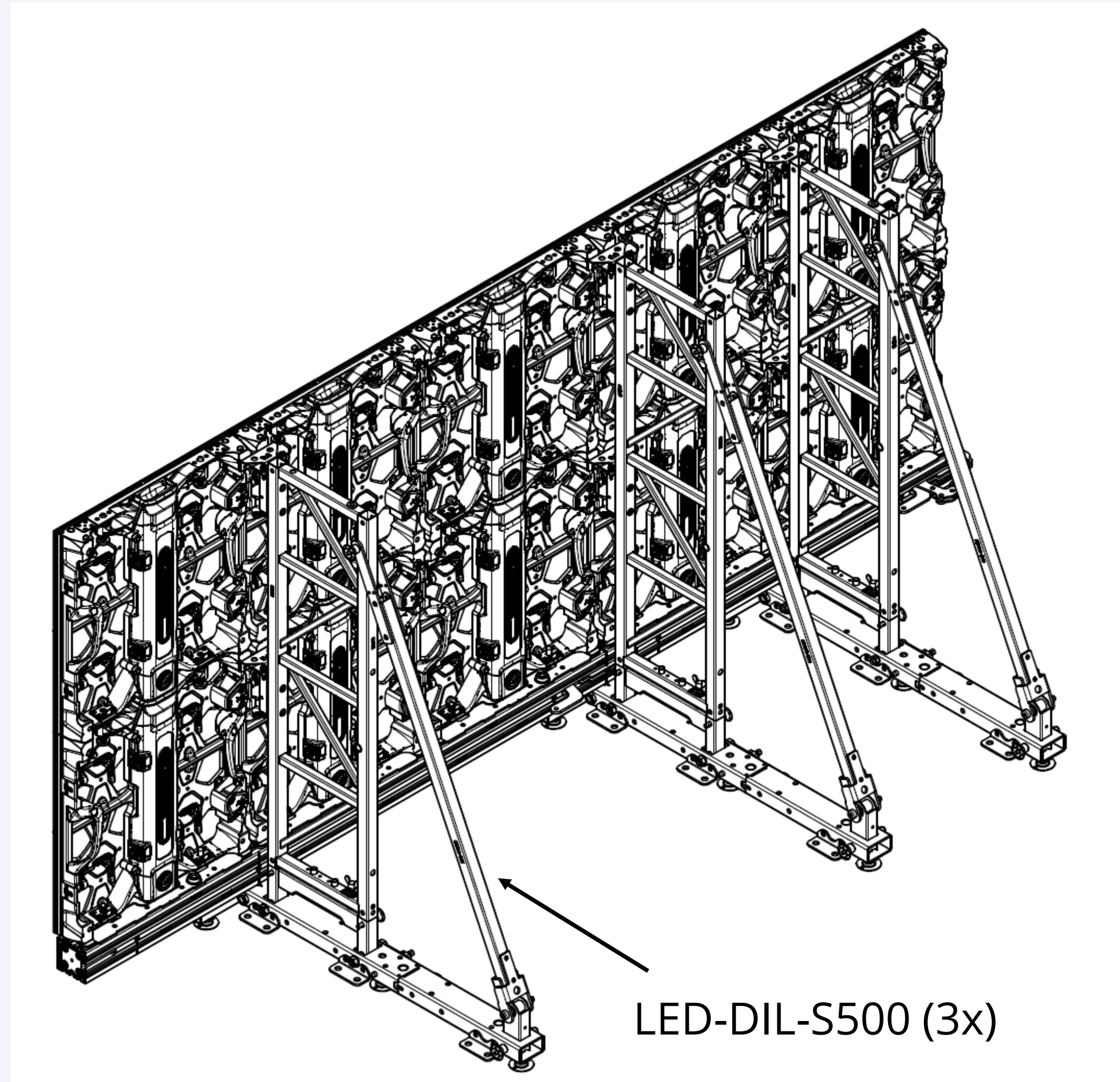


**Tool-less Stacker connection**  
Stacker are inserted in Ski and secured with attached bolts without tools – No small parts that can get lost



▶ **Step 6 – Attaching LED Modules (5 x 2) and Diagonales**

**Simplified LED cabinet set up**  
Due to movable base plates the set up can be done fast and without to much planning

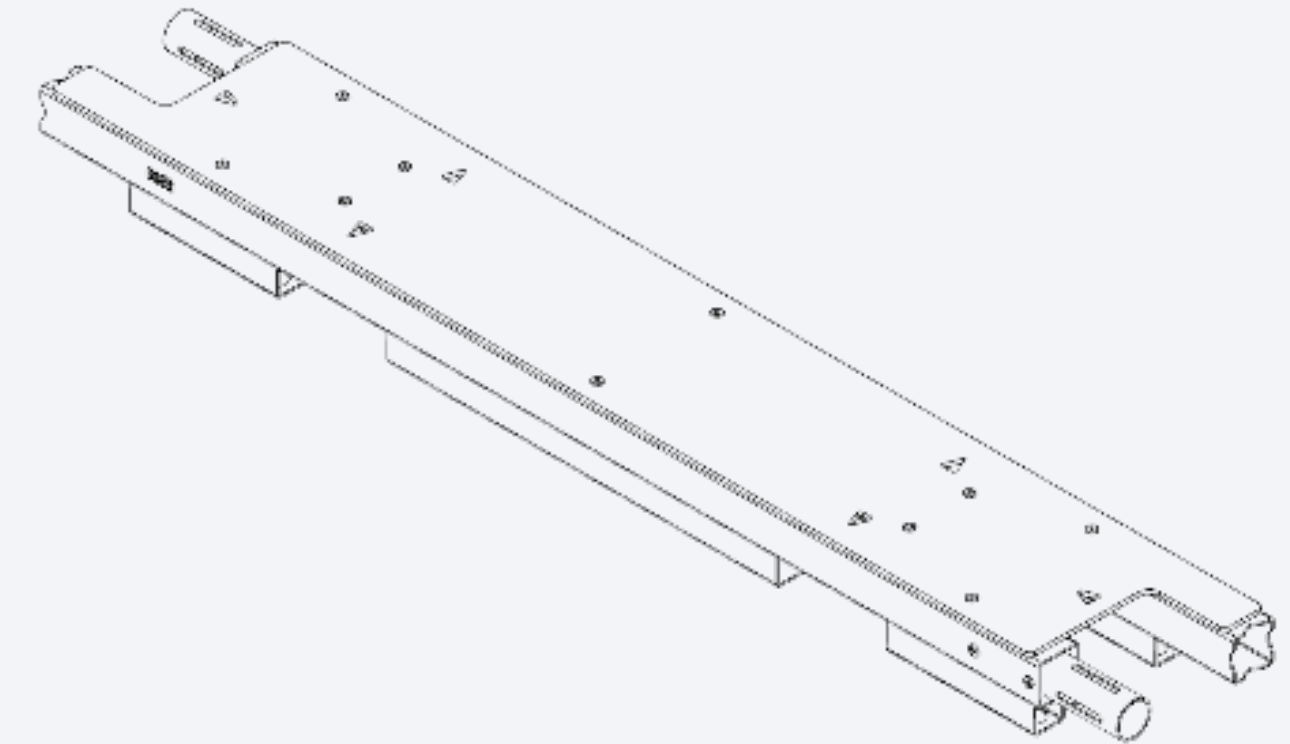
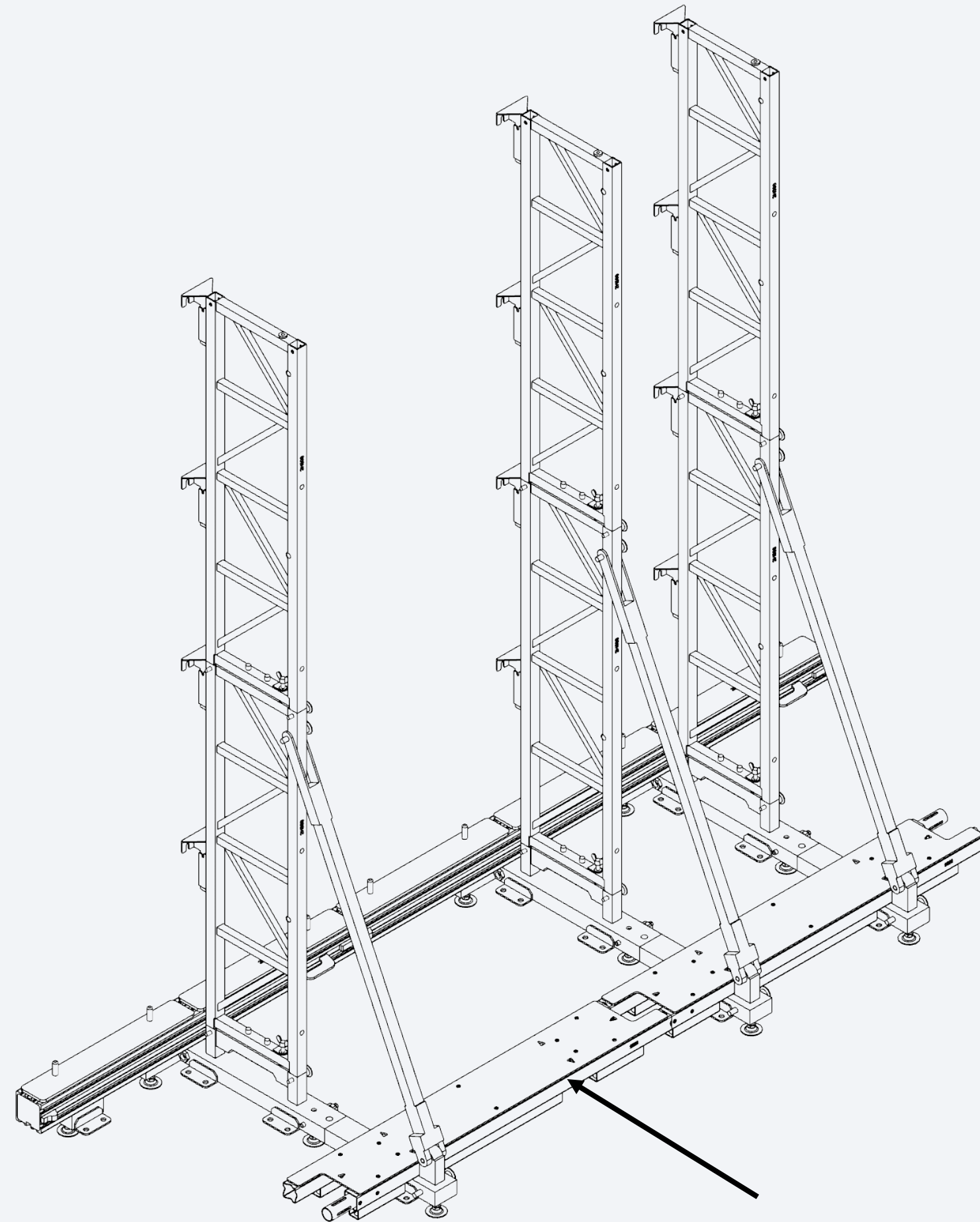


**Compatibility**  
Each Diagonal is compatible with the Extension



▶ **Optional Accessory: Load Distribution Unit (LDU)**

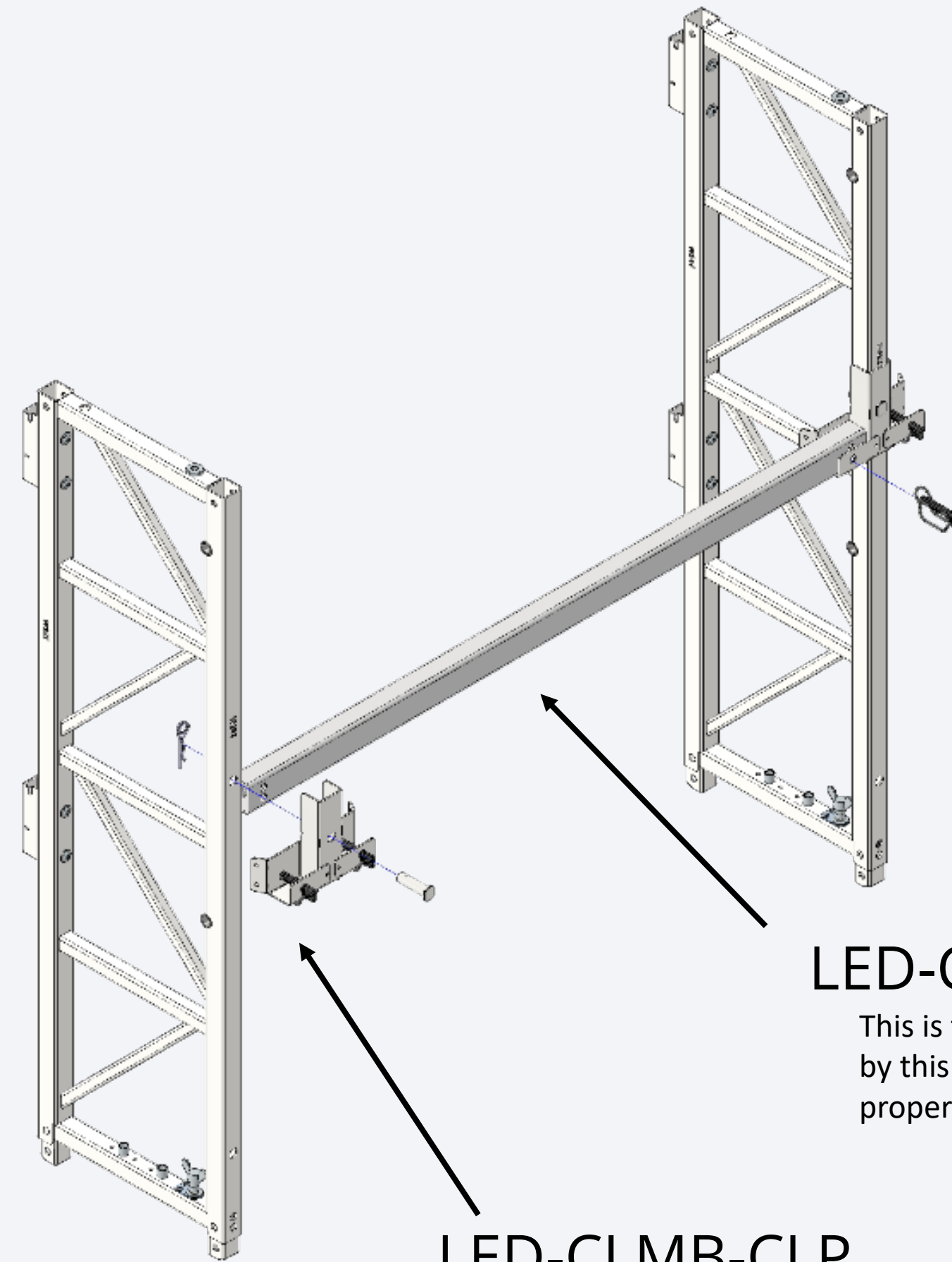
Is placed on the extensions and provides space to position counter weight



Load Distribution Unit

▶ **Optional Accessory: Climbing Option**

Climbing is only allowed with the correct accessories and following instructions in the manual. Two different main parts are needed:

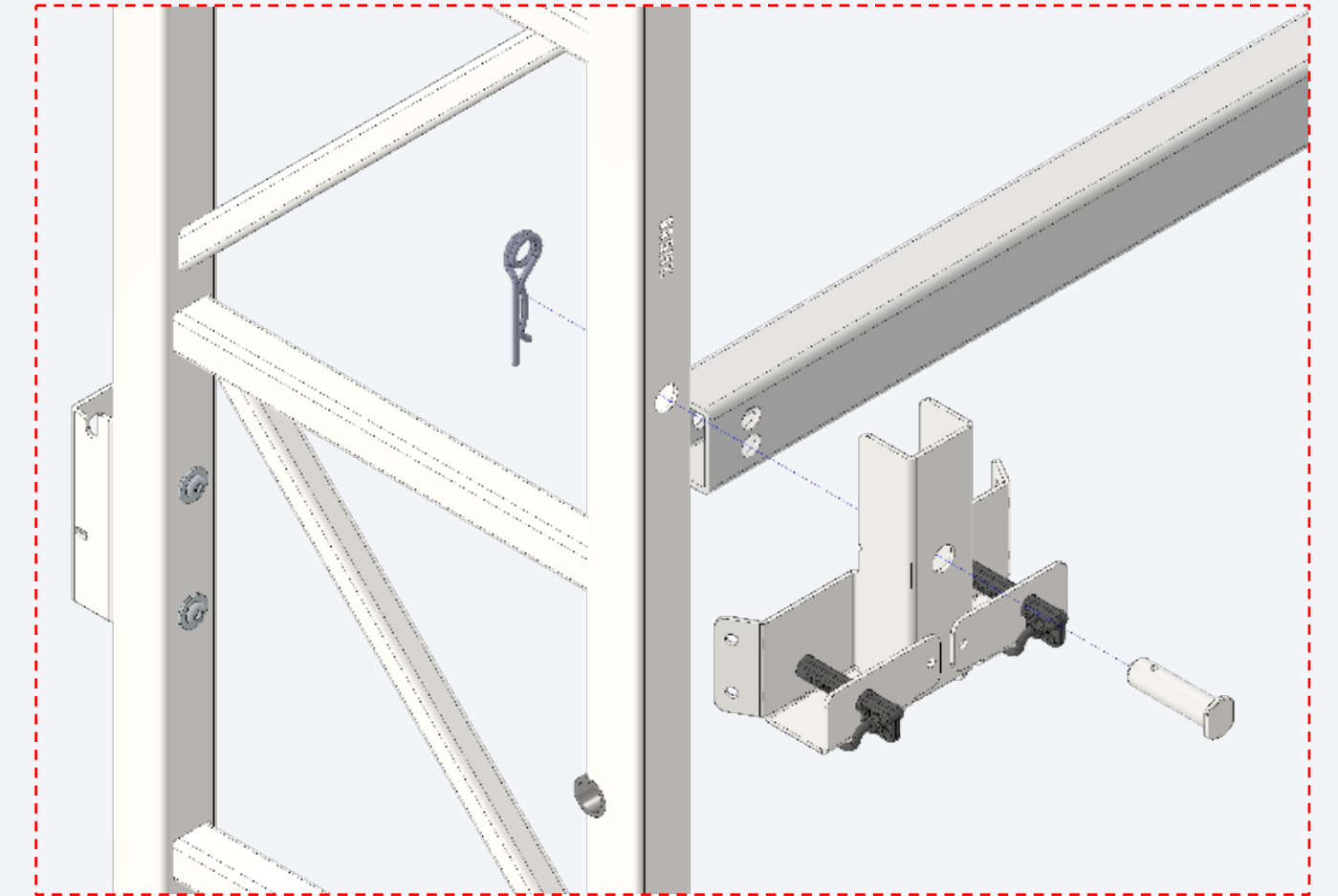


**LED-CLMB-Px**

This is the rectangular pipe that connects two clamps and by this is mounted in between two stackers. Once properly installed, technicians will stand on this pipe.

**LED-CLMB-CLP**

This is the clamp that connects to the stacker. Each clamp comes with two splints to secure the climbing pipe and one bolt plus splint to secure the clamp to the stacker.



## Advantages EXso LED Stacking

### Just a few System Components

#### LED STACKING

1. Ski + Extension
2. Base
3. Stacker + Clamps
4. Diagonal

### Advantages

- Ultimate rental product – modular system – easy and fast set up
- Mostly standard parts, just a few parts depend on LED cabinet type
- Each part can be replaced to upgrade existing parts to other LED cabinet types
- Innovative and rental proof design
- Mostly tool-less set up
- If cabinets expand due to heat they can move as much as they need without having visible gaps between module columns
- Static calculation with detailed stacking information for each set up





# Thank You!

---

Any Questions?  
Feel free to contact us

---