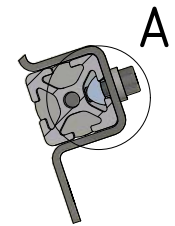


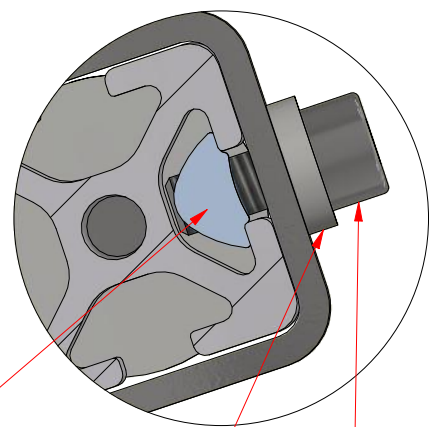
Nutenstein 5 St 2xM4-20

2 x Ø4,3 RippLock Scheiben
2 x M4x8 oder 10 DIN 912 Stahl Verzinkt 10.9

B-B (1 : 2)



A (2 : 1)



Nutenstein 5 St M4, verzinkt 03700.6

Ø4,3 RippLock Scheibe

M4x8 oder 10 DIN 912
Stahl Verzinkt 10.9

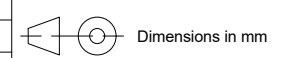


© COPYRIGHT EXACT SOLUTIONS
This print and the information shown thereon, is the property of EXACT SOLUTIONS. It may not be delivered to others nor reproduced for general circulation without the written consent of the EXACT SOLUTIONS.

Material: Revision: 01
Weight: 3.500 kg

	Date	Name
Author	16/12/2019	Victor Ibanescu
Checked		
Approved		

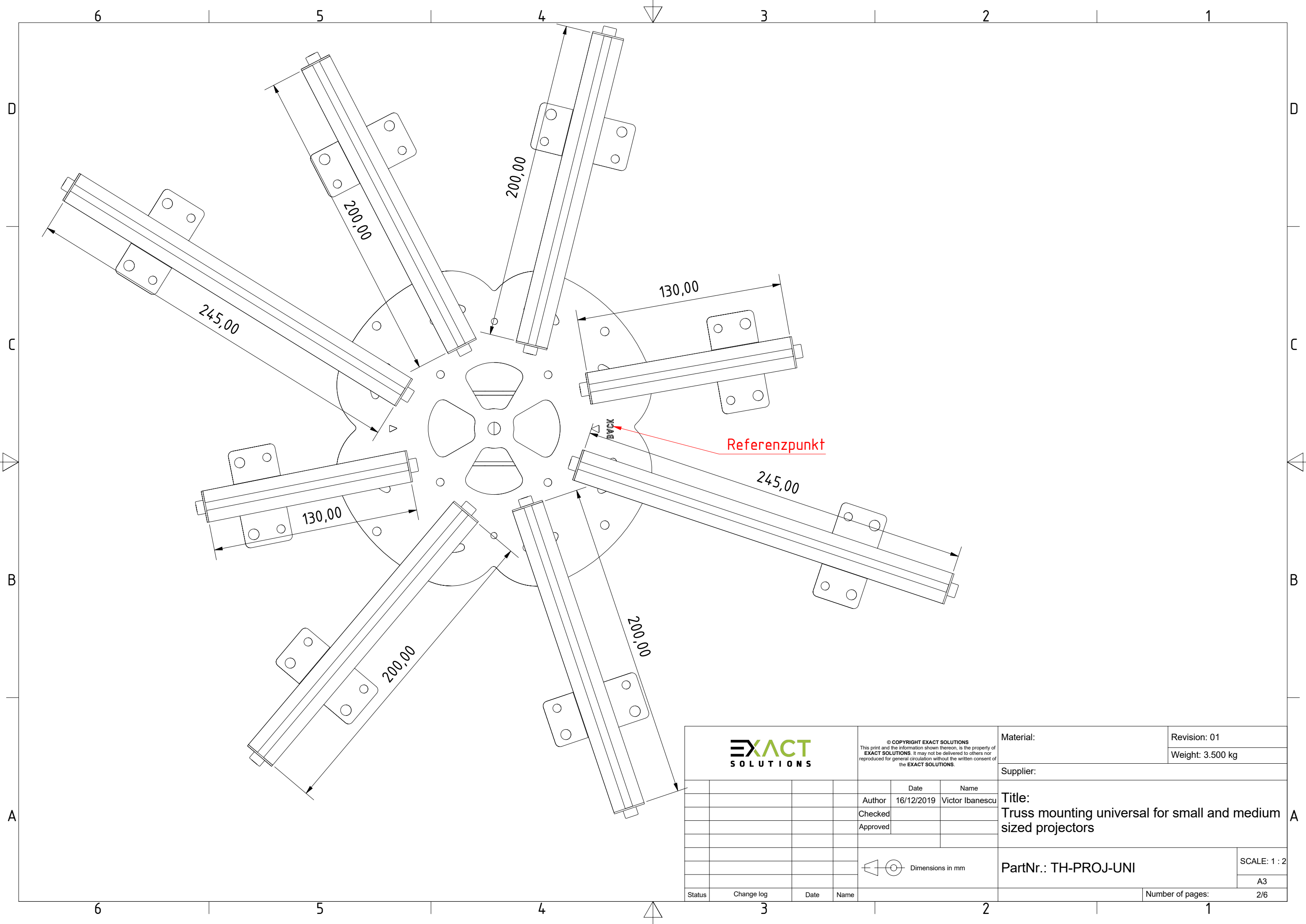
Supplier:
Title:
Truss mounting universal for small and medium sized projectors



Dimensions in mm

PartNr.: TH-PROJ-UNI SCALE: 1 : 2
A3

Status	Change log	Date	Name	Number of pages:
				1/6



© COPYRIGHT EXACT SOLUTIONS
 This print and the information shown thereon, is the property of EXACT SOLUTIONS. It may not be delivered to others nor reproduced for general circulation without the written consent of the EXACT SOLUTIONS.

Material: Revision: 01
Weight: 3.500 kg

Supplier:

	Date	Name
Author	16/12/2019	Victor Ibanescu
Checked		
Approved		

Title:
 Truss mounting universal for small and medium sized projectors

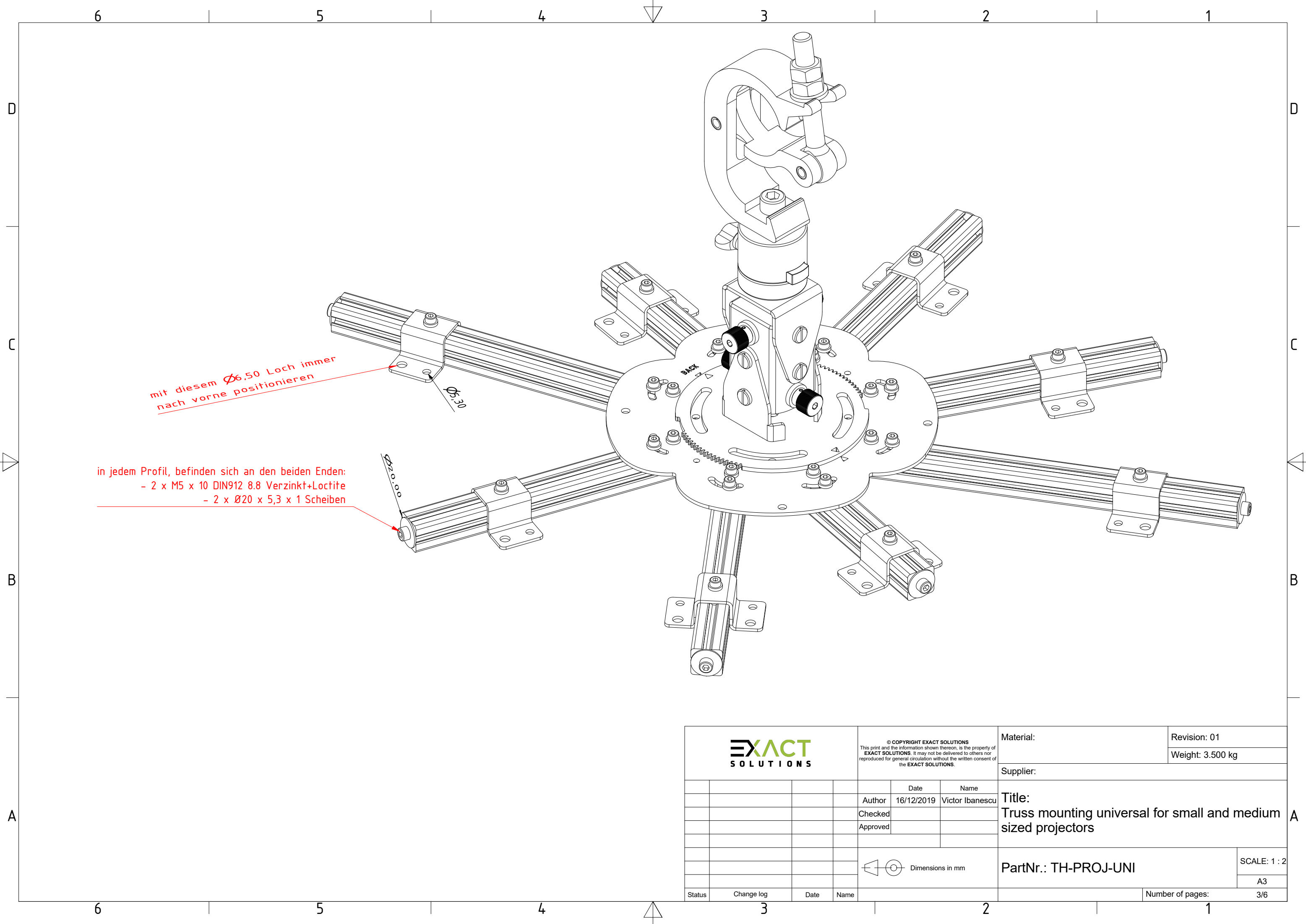


Dimensions in mm

PartNr.: TH-PROJ-UNI SCALE: 1 : 2

Status	Change log	Date	Name	Number of pages:	
				2/6	

A



mit diesem $\varnothing 6,50$ Loch immer nach vorne positionieren

in jedem Profil, befinden sich an den beiden Enden:
 - 2 x M5 x 10 DIN912 8.8 Verzinkt+Loctite
 - 2 x $\varnothing 20$ x 5,3 x 1 Scheiben

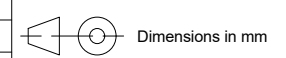


© COPYRIGHT EXACT SOLUTIONS
 This print and the information shown thereon, is the property of EXACT SOLUTIONS. It may not be delivered to others nor reproduced for general circulation without the written consent of the EXACT SOLUTIONS.

Material: Revision: 01
 Weight: 3.500 kg

	Date	Name
Author	16/12/2019	Victor Ibanescu
Checked		
Approved		

Supplier:
Title:
 Truss mounting universal for small and medium sized projectors



Dimensions in mm

PartNr.: TH-PROJ-UNI SCALE: 1 : 2

Status	Change log	Date	Name	Number of pages:	3/6

6 5 4 3 2 1

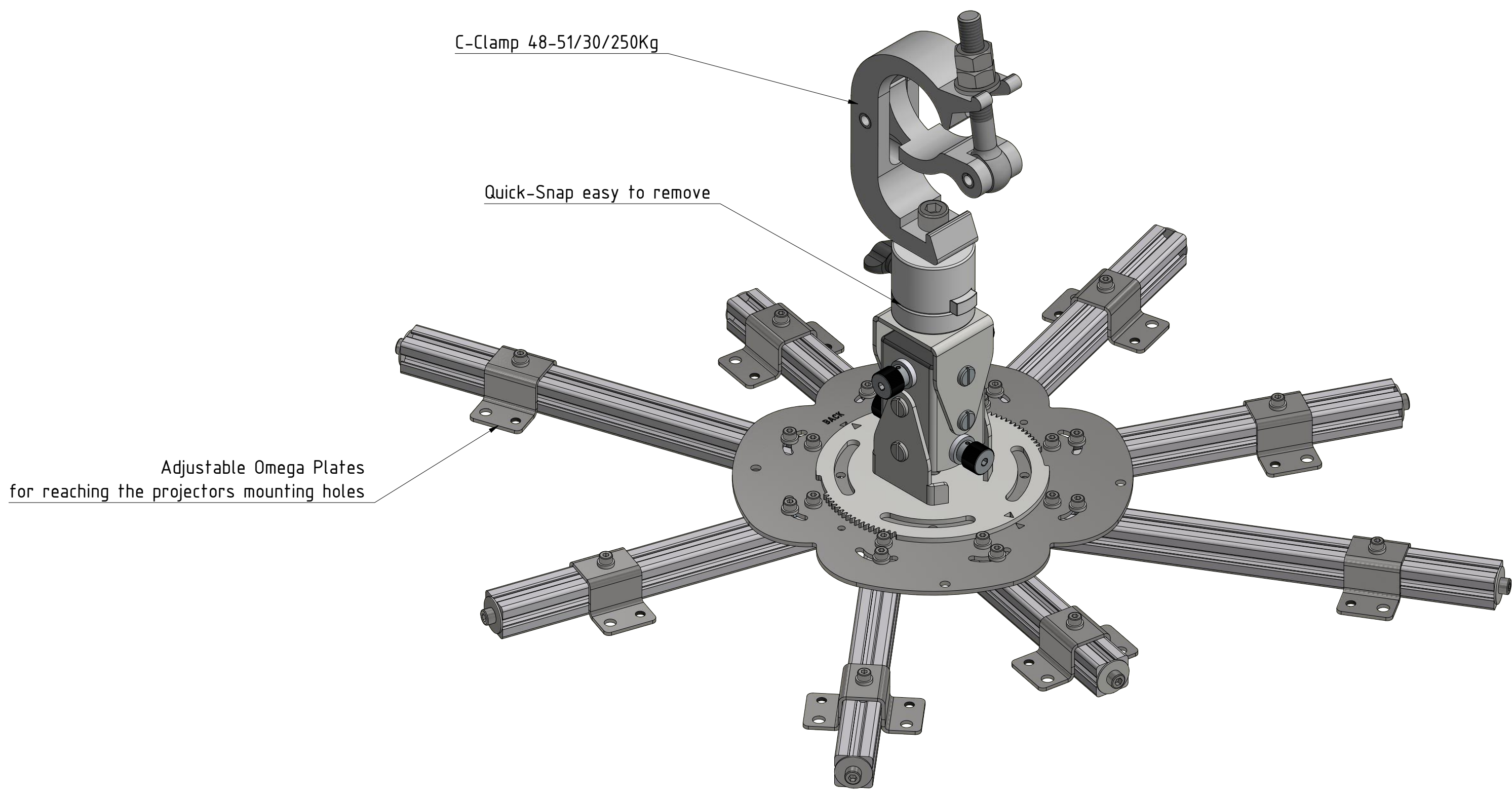
D D

C C

B B

A A

6 5 4 3 2 1

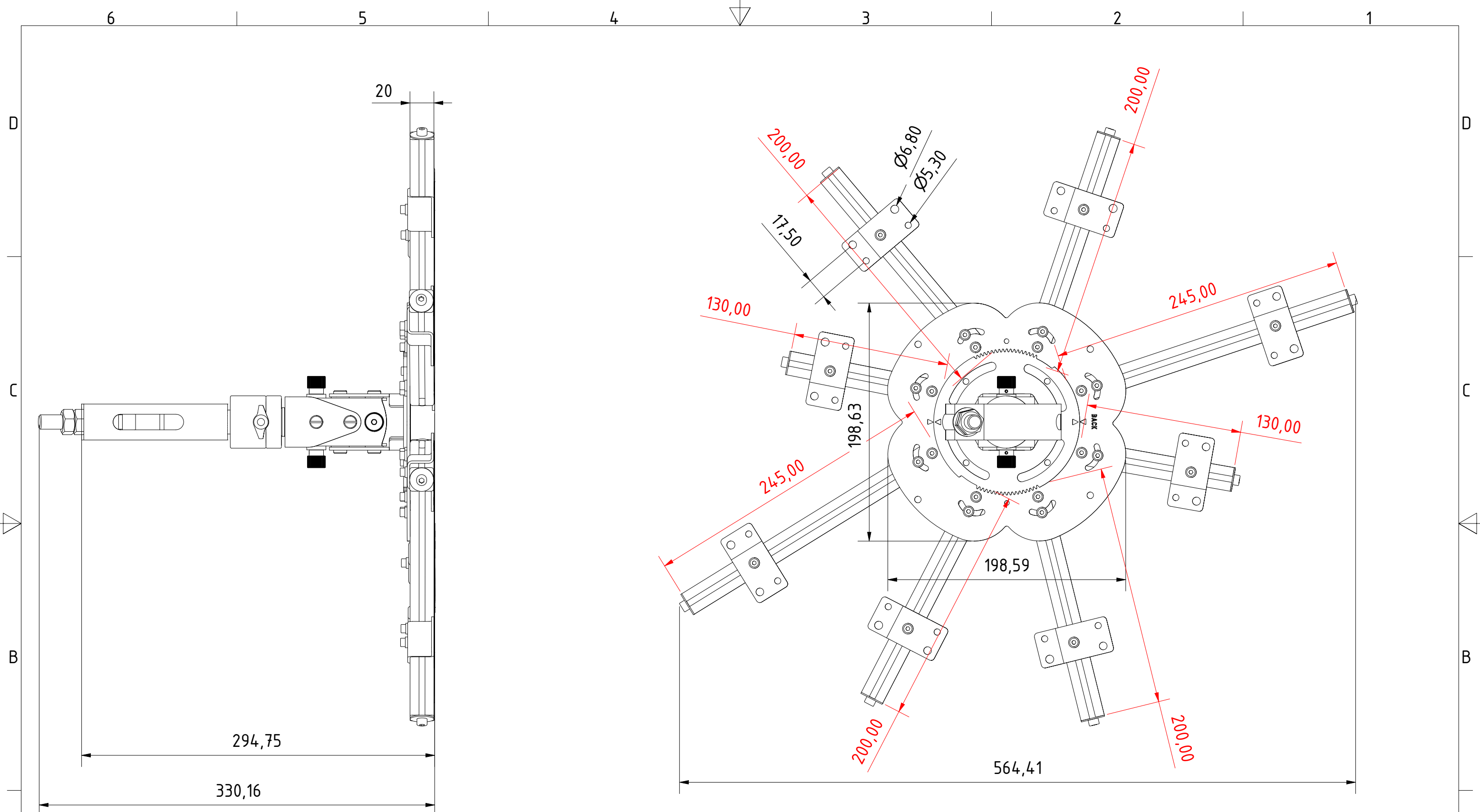


C-Clamp 48-51/30/250Kg

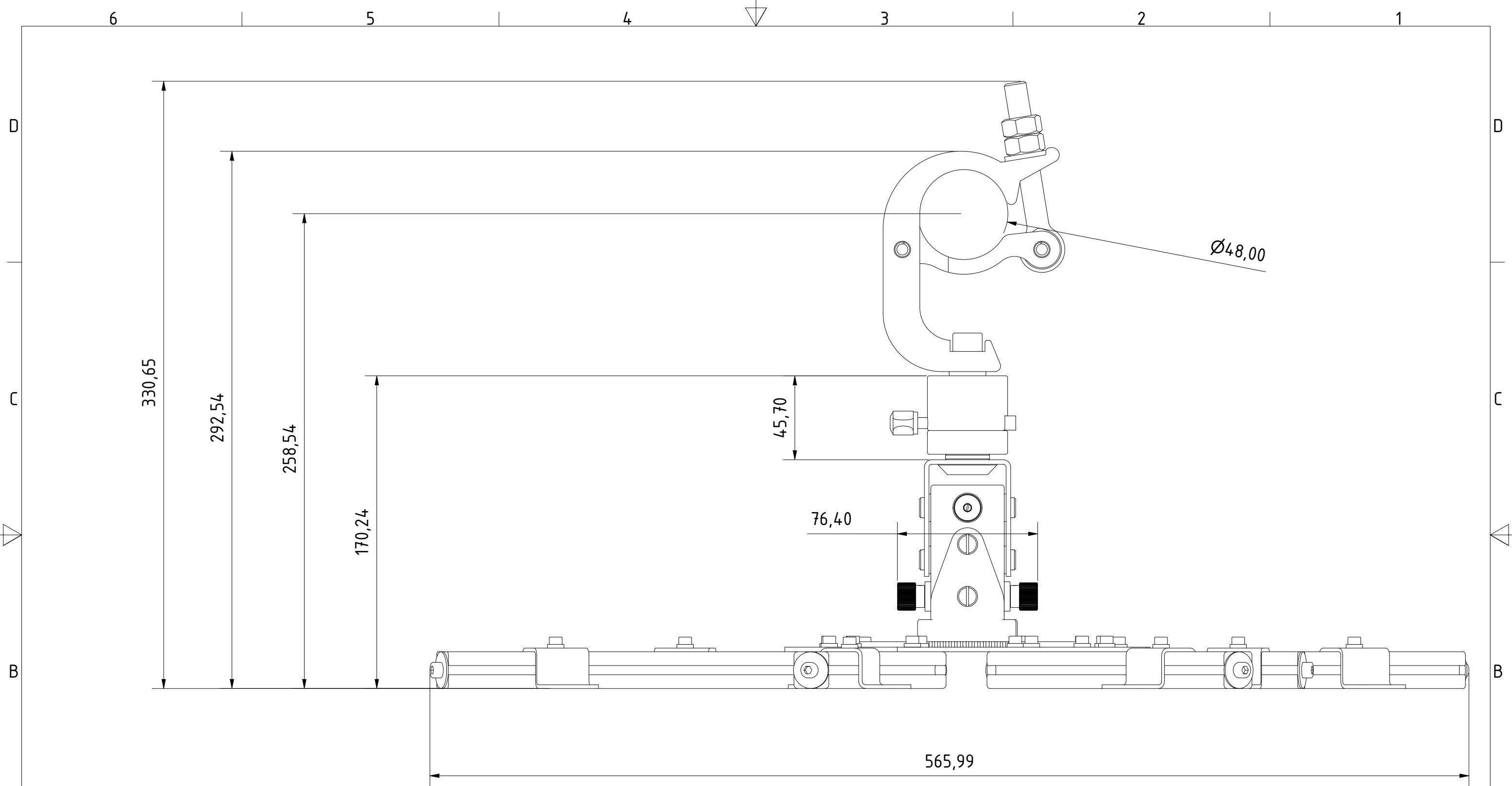
Quick-Snap easy to remove

Adjustable Omega Plates for reaching the projectors mounting holes

		<small>© COPYRIGHT EXACT SOLUTIONS This print and the information shown thereon, is the property of EXACT SOLUTIONS. It may not be delivered to others nor reproduced for general circulation without the written consent of the EXACT SOLUTIONS.</small>		Material:	Revision: 01
				Weight: 3.500 kg	
		Supplier:		Title: Truss mounting universal for small and medium sized projectors	
	Date	Name			
	Author	16/12/2019	Victor Ibanescu		
	Checked			PartNr.: TH-PROJ-UNI	
	Approved				
		Dimensions in mm		SCALE: 1 : 2 A3	
Status	Change log	Date	Name	Number of pages: 4/6	



		<small>© COPYRIGHT EXACT SOLUTIONS This print and the information shown hereon, is the property of EXACT SOLUTIONS. It may not be delivered to others nor reproduced for general circulation without the written consent of the EXACT SOLUTIONS.</small>		Material:	Revision: 01
				Weight: 3.500 kg	
		Supplier:		Title: Truss mounting universal for small and medium sized projectors	
	Date	Name			
	Author	16/12/2019 Victor Ibanescu			
	Checked				
	Approved			PartNr.: TH-PROJ-UNI	
		Dimensions in mm		SCALE: 1 : 3 A3	
Status	Change log	Date	Name	Number of pages: 5/6	



© COPYRIGHT EXACT SOLUTIONS
 This print and the information shown thereon, is the property of EXACT SOLUTIONS. It may not be delivered to others nor reproduced for general circulation without the written consent of the EXACT SOLUTIONS.

Material: Revision: 01
Weight: 3.500 kg

Supplier:

	Date	Name
Author	16/12/2019	Victor Ibanescu
Checked		
Approved		

Title:
 Truss mounting universal for small and medium sized projectors



Dimensions in mm

PartNr.: TH-PROJ-UNI SCALE: 1 : 2

Status	Change log	Date	Name	Number of pages:
				6/6

A

A