

PAULINE

Universal truss mount for projectors TH-PROJ-UNI

Manual Version 1.2



Date	Revision No.	Author	Checked	Approved	Description
12.06.2019	1.0	KWR	DWN	RPA	Version 1.0
02.02.2020	1.1	TSN	DWN	VIU	Layout change
24.01.2024	1.2	GJN			Adding Warning

The following projectors can be attached to this ceiling mount:

PT-EZ590	PT-EW550	PT-RZ570	PT-DZ870	PT-DZ6710	PT-DW6300	EP-EB-L510U
PT-EW650	PT-EX520	PT-MZ770	PT-DW830	PT-DZ6700	PT-D6000	
PT-EX620		PT-MZ670	PT-DX100		PT-D5000	

The listed projectors are only examples. Nearly every projector with a maximum weight of 25kg / 55,1 lbs can be attached to the PAULINE ceiling mount.

Table of content

1. Preamble	2
1.1 Tools required	3
2. Safety instructions	4
3. What's in the box?	9
4. Attaching the Projektor to the ceiling mount	10
5. Adjustment options	12
6. Mounting the PAULINE ceiling mount to a truss	13
7. System maintenance and inspection (Re-examination)	15
8. Dimensions	16
Imprint	17

Contact

Tel.: +49 2204 9485 30

E-Mail: info@exactsolutions.de

Web: www.exactsolutions.de

1. Preamble

Congratulations on your purchase of the **PAULINE** universal ceiling mount for projectors from EXACT solutions.

Please read very carefully the instructions provided in this manual. In the following pages you will find all the information needed for a safe and fast installation.

After the installation is done properly, you can enjoy all the features of your new product.

Please consider keeping the original box and packaging materials, in case you ever need to ship the ceiling mount.

Model number: TH-PROJ-UNI

1.1 Tools required

The tools required are:

- 3 mm hex key to adjust the 5 arms of the PAULINE, a 4mm hex key to turn the adjustment screws (Figure 1)
- SW19 Wrench (Figure 2) to tighten and loosen the C-clamp on top



Figure 1: 3mm, 4mm hex key (Allen key)



Figure 2: SW19 wrench

These installation instructions must always be handed over to the installing person.¹

Read these instructions carefully before installing the system.

¹ Only a qualified person should install this product

2. Safety instructions

INTENDED USE

The PAULINE ceiling mount is intended for use by fully qualified, trained and competent persons to provide a safe and secure installation and adjustment of projectors.

Only use the ceiling mount with projector in a closed environment (conference rooms, theatres, convention halls, etc.) where there is no wind, moisture, excessive heat etc.

Make sure that only the corresponding projectors are installed to this ceiling mount! Do not try to use it with projectors that are too heavy, because serious accidents can occur!

WARNINGS

Installation work should only be carried out by a qualified technician.

- If this product is not installed correctly, serious accidents may result.

Do not use the PAULINE ceiling mount outdoor.

- This product is made only for indoor usage. If the PAULINE ceiling mount is mounted outdoor, there are many influences like wind or rain that can have an effect on the stability of the whole system. This can cause serious accidents and property damage.

Do not hang the ceiling mount from unstable or inappropriate structures.

- If the ceiling mount is hung on an unstable structure, the entire system can fall down and injuries may occur. Make sure that the construction can support a total weight of 28,5 kg (62,83 lbs) plus the weight of all additional equipment as well as other potential systems.

Before hanging the ceiling, mount make sure the quick-snap is locked.

- If the quick-snap is not locked, the entire system can fall down and property damage or injuries may occur.

Make sure not to exceed the maximum weight load limits of 25 Kg / 55,1 lbs.

- If the attached projector is too heavy, it can break of the ceiling mount, or the entire system can fall down and property damage or injuries may occur.

Do not install the PAULINE or the projector while people are present under the mounting zone.

- When installing the projector, make sure no one is in the area underneath the installation zone to prevent serious injuries.

Always use at least 4 mounting-arms to secure the projector.

- When installing the projector, make sure that at least 4 mounting arm are used to hold the projector. All screws must be tightened to the torque specified by the projector manufacturer.

Always secure the ceiling mount to the rigging truss with a safety steel cable.

- The ceiling mount should always be secured with an appropriate safety steel cable so that in case of a malfunction it doesn't fall more than 5 cm. Please consult the local laws or regulations regarding the additional safety of hanging equipment.

Manual Pauline TH-PROJ-UNI

CAUTION

Before installing the projector to the PAULINE ceiling mount, please read the projector's user manual.

- The PAULINE ceiling mount with the projector attached must be installed only in an environment that is recommended by the projector manufacturer.

Make sure that the structure from which you hang the PAULINE ceiling mount including the projector is capable of carrying the overall weight of approx. 28,5 kg (62,83 lbs) plus the weight of all additional equipment as well as other potential systems.

Prior to any installation, you must do a visual inspection to make sure that the system is in a good condition. For more information please refer to chapter "7. System maintenance and inspection (Re-examination)"

RISK SITUATIONS

Risk of injury due to the possibility of falling objects during the assembly or disassembly of the PAULINE ceiling mount.

- Protection objective: Avoid injury from falling parts.
- Wear appropriate safety shoes, gloves and helmet.
- Make sure the area under the ceiling mount is clear during installation.

Risk of hitting the head with the PAULINE ceiling mount during the hanging set up process.

- Protection objective: Avoid injury from hitting the head.
- Wear a helmet.

Manual Pauline TH-PROJ-UNI

Incorrect installation may lead to certain parts of the PAULINE ceiling mount or the entire PAULINE ceiling mount to fall down.

- Protection objective: Prevent personal injury and property damage.
- Double check the PAULINE ceiling mount and its installation.
- Read the PAULINE manual carefully.

Manual Pauline TH-PROJ-UNI

Insufficient load capacity of the supporting structure may lead to certain parts of the PAULINE ceiling mount or the entire PAULINE ceiling mount to fall down.

- Protection objective: Prevent personal injury and property damage.
- Provide adequate dimensioning of the supporting structure. The supporting structure must be able to support the combined weight of all the equipment attached to, or hung from it
- Ensure correct installation of the supporting structure.

The fingers or the hand of the user can be caught between the metal plate and the moving upper parts of the ceiling mount while adjusting the image.




- Protection objective: Prevent personal injury by using safety gloves.
- When the adjustment of the image is made, the user must always keep his hands on the adjustment screws (see Figure 3) or the tools to adjust the screws.



Figure 3: Adjustment screws position

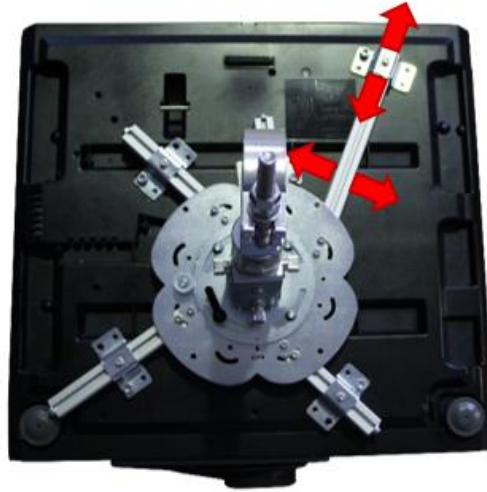
Manual Pauline TH-PROJ-UNI

3. What's in the box?

	<p>PAULINE</p> <ul style="list-style-type: none">• Used for projector installation• Number of units: 1• Weight: 3,5 kg / 7,71 lbs
	<ol style="list-style-type: none">1) 5 x M4x16 DIN 912 g. steel 10.9 5 x M5x16 DIN 912 g. steel 10.9 5 x M6x16 DIN 912 g. steel 10.92) 5 x Ø 4,2 RippLOCK Safety Washer g. steel 5 x Ø 5,2 RippLOCK Safety Washer g. steel 5 x Ø 6,2 RippLOCK Safety Washer g. steel
	<p>User manual and installation guide for PAULINE</p>

Make sure your box contains everything you ordered. If any pieces are missing, contact the vendor.

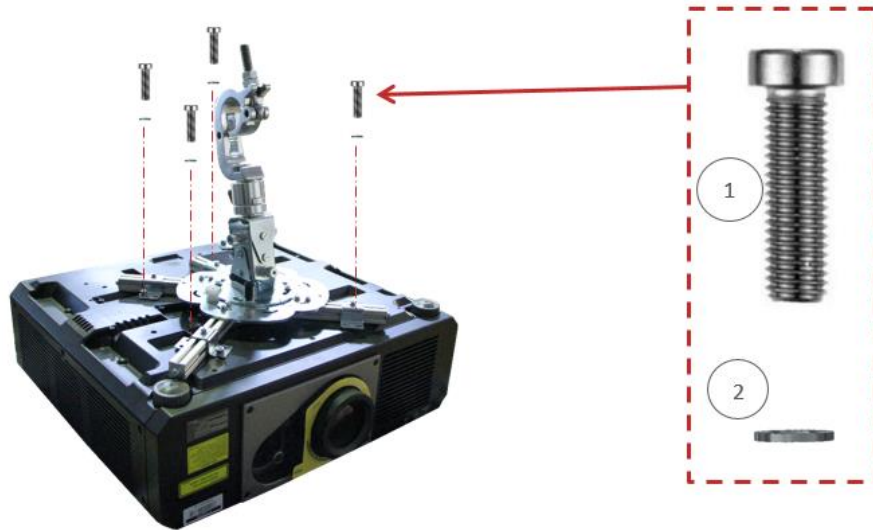
4. Attaching the Projektor to the ceiling mount.



Step 1: Position the PAULINE ceiling mount in the middle over the projektor. For the following process, it's beneficial to loosen all three screws on each arm, so you can move the arms and the metal plates freely around. Then align the arms of the ceiling mount with the threads in the Projektor. If needed, you can switch the places of the arms and screw of the metal plates and turn them by 180 degrees. Please put the projektor in the right position so that the front/back position is correct when installing. If possible, you should install the center of the ceiling mount as close as possible to the center of gravity of the projektor.



When installing the projektor, make sure that at least 4 mounting arm are used to hold the projektor. All screws must be tightened to the torque specified by the projektor manufacturer.



Step 2: Place the **RippLOCK Safety Washers (2)** over each corresponding hole. Secure the **screws (1)** into each hole. Ensure each screw runs through the plate and catches into the corresponding thread in the projector surface.

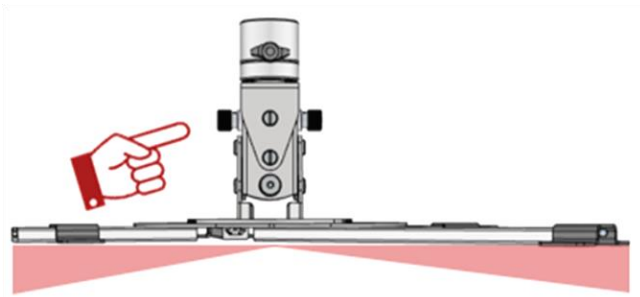
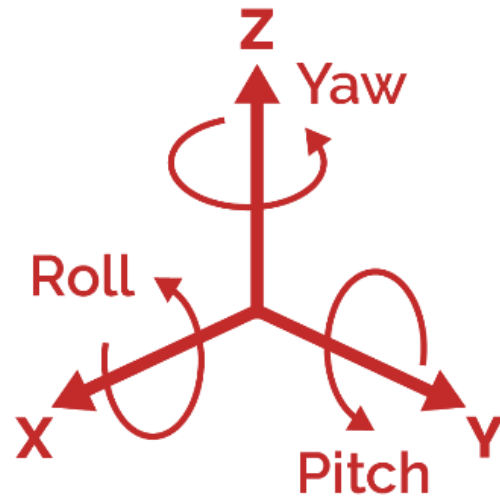
Depending on the projector you are using, you can use up to five screws to mount the PAULINE on the projector.

Do not forget to use the RippLOCK Safety Washers (2) as they are preventing the screws to loosen themselves!

Do only use screws, which match the threads in the projector!

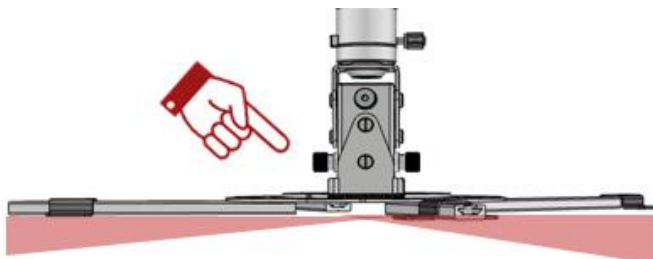
Step 3: Make sure to tighten all three screws of each arm after you finished adjusting them.

5. Adjustment options



Roll

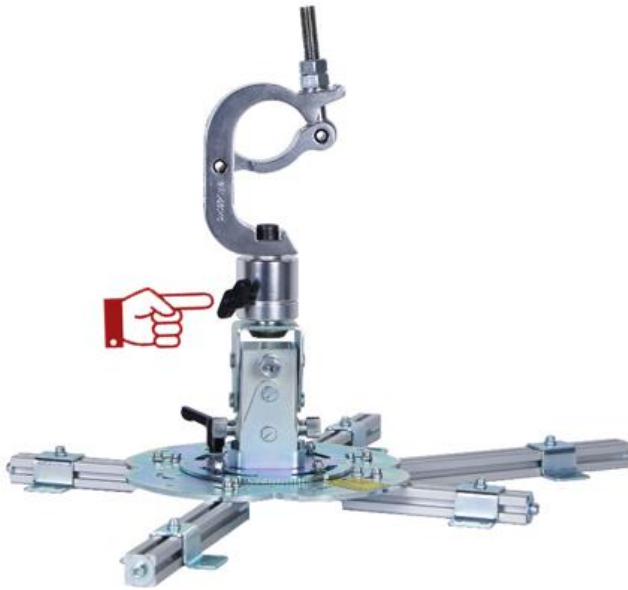
By turning the upper adjustment screws to the left and right you can adjust the position of the projector with an angle of ± 22 degrees.



Pitch

By turning the lower adjustment screws in the front and the back you can lower and lift the projector with an angle of ± 22 degrees.

Manual Pauline TH-PROJ-UNI

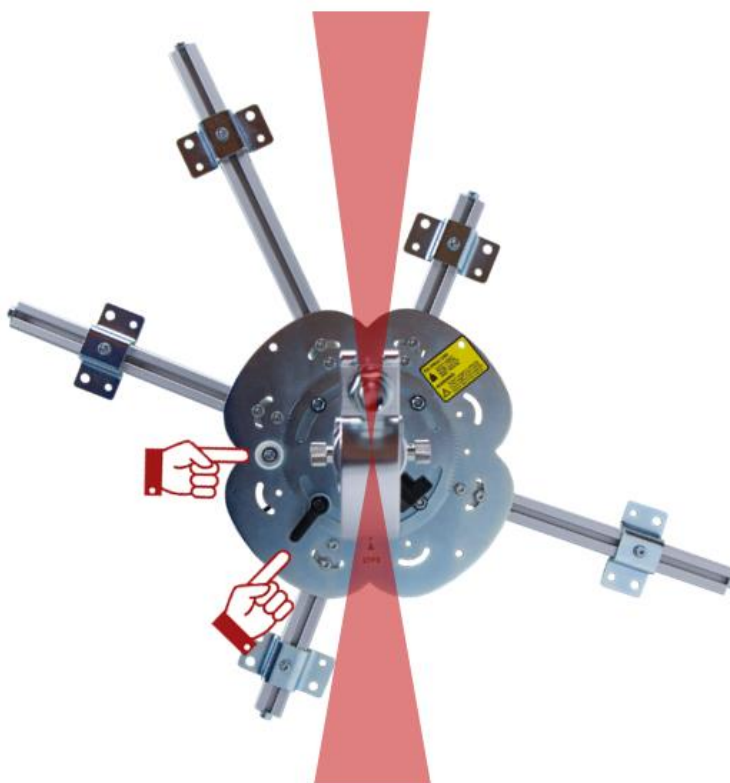


Yaw

Before installation:

By unlocking the quick release (shown in the picture to the left) the C-clamp can be turned around the Z-Axis by 360 degrees.

Attention: Do not use this adjustment option, while the ceiling mount is already hanging on a truss. If the quick snap button, which is on the opposite side of the quick snap screw, is pressed accidentally while the quick snap screw is unlocked, the lower part including the projector will fall off.



After installation:

For the fine adjustment you have to unlock the quick release on top of the metal plate.

By turning the white adjustment screw on top of the metal plate, you can turn the projector around the Z-Axis with an angle of ± 25 degrees.

6. Mounting the PAULINE ceiling mount to a truss

To hang the ceiling mount on a truss one must use the attached C-clamp. Always use both M12 nuts to make sure the clamp cannot loosen itself.

Make sure the quick snap is locked, otherwise the lower part of the ceiling mount including the projector can fall off.

Note: Always secure the ceiling mount using appropriate **safety steel cables**.

Make sure they are chosen correctly regarding strength, format and length. Please avoid high dynamic forces by ensuring that the mounting clamp will not drop more than **5cm** into the safety. You can place the safety steel cable between the ceiling mount and the projector.

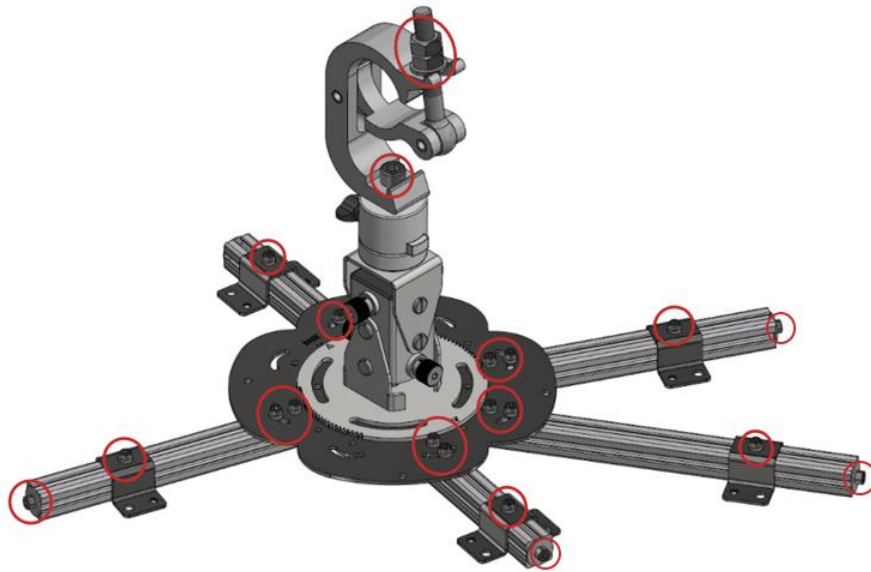
Please consult the local laws or regulations regarding the additional safety of hanging equipment.



7. System maintenance and inspection (Re-examination)

The PAULINE does not require special maintenance but a visual inspection must be done **prior to every installation** in which the system is involved:

- Please make a visual inspection to be sure that all the screws on each arm are in the right place and none are missing.



- Make sure that the screws, nuts, arms, metal plate and all the components are not bended, damaged, or broken.
- If any parts are broken or missing, please contact the vendor for spare parts.
- Please control, with a corresponding tool, that all the screws are properly tightened.

Do not exchange broken or malfunctioning parts with ones that are not accredited by the manufacturer because serious injuries and property damage can occur!

The inspection must be done by a qualified person!

One meticulous inspection must be performed **every year**. For that, a qualified person needs to carefully check that none of the components are damaged or broken.

8. Dimensions

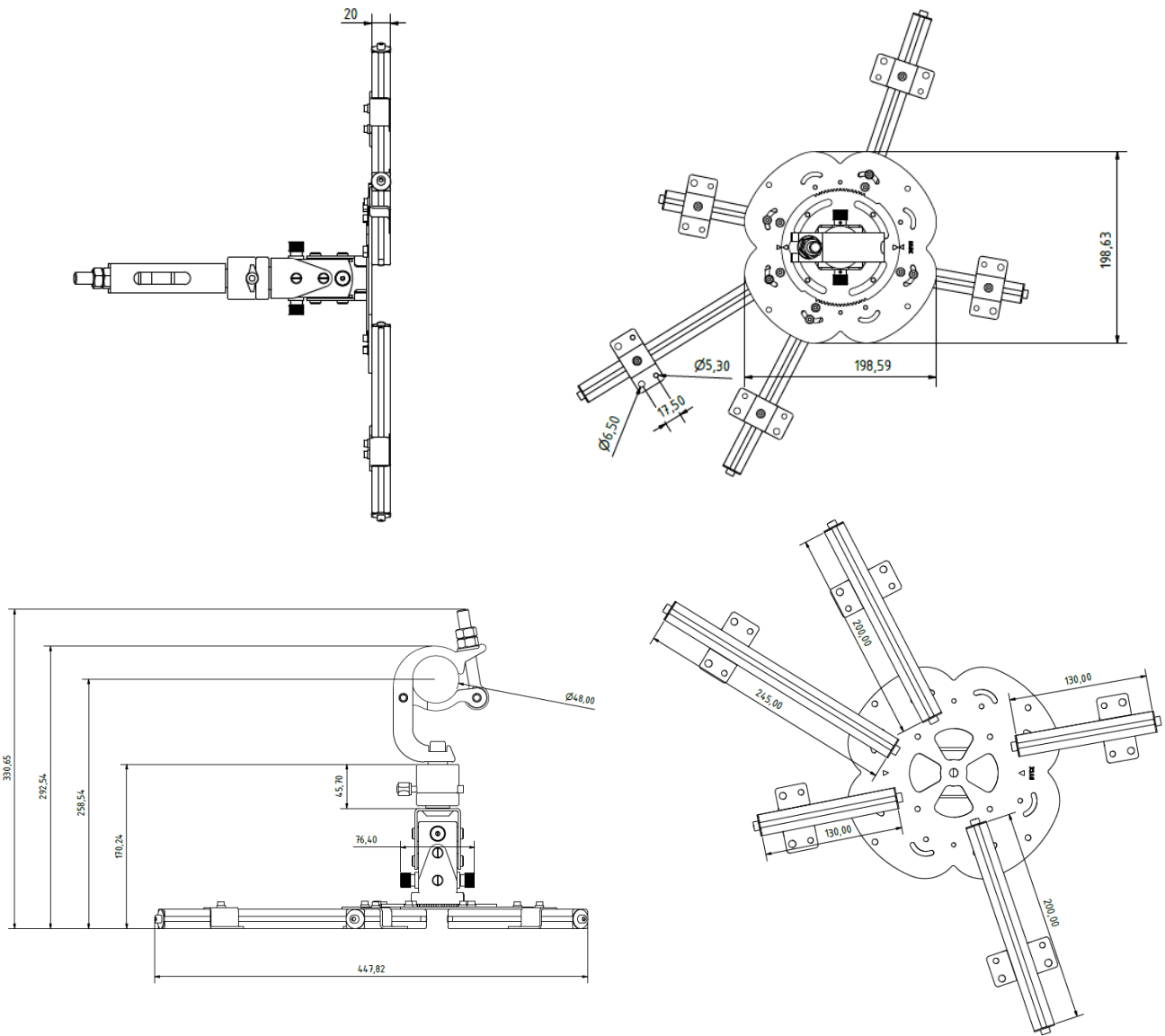


Figure 4: PAULINE ceiling mount drawings, weight: 3,5 kg / 7,71 lbs

Imprint

EXACT solutions GmbH

Lustheide 85

51427 Bergisch Gladbach

GERMANY

Tel.: +49 2204 9485 30

E-Mail: info@exactsolutions.de

Web: www.exactsolutions.de