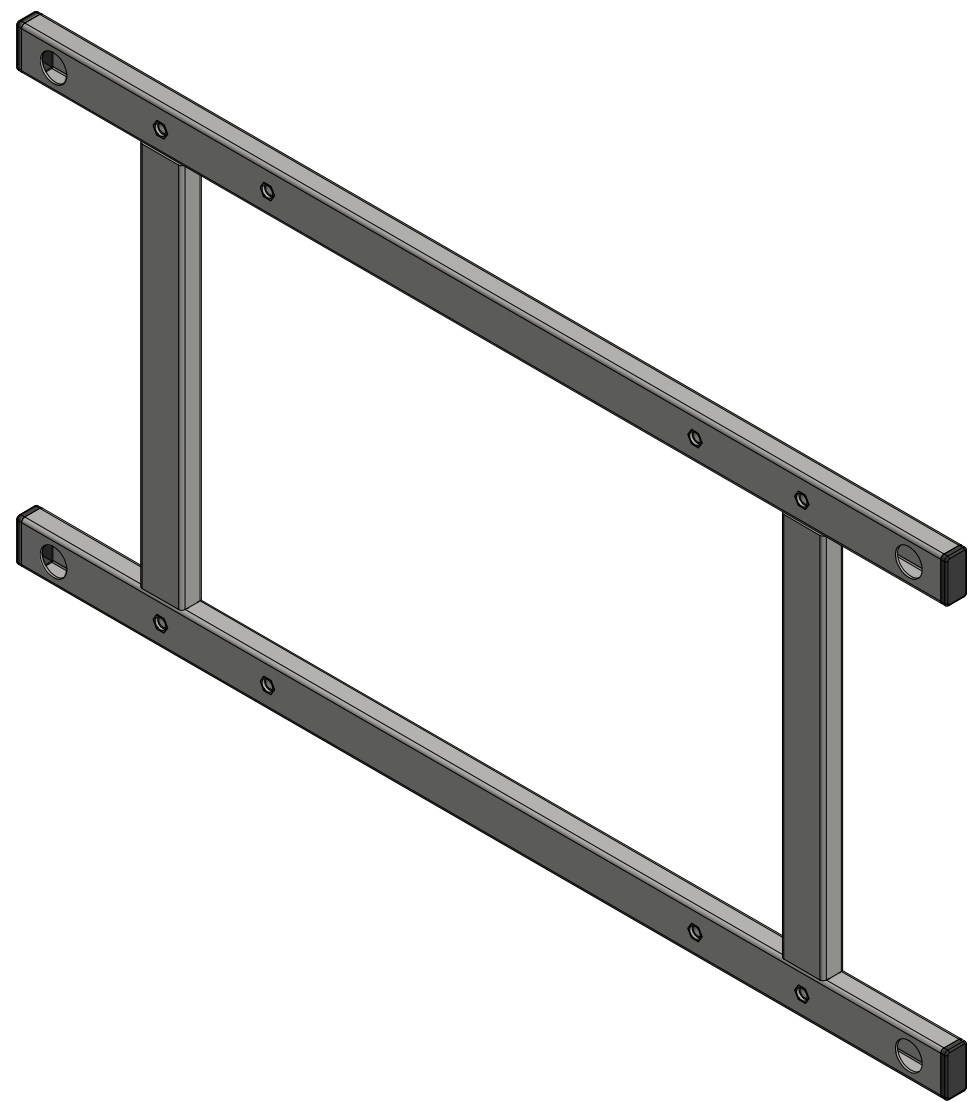
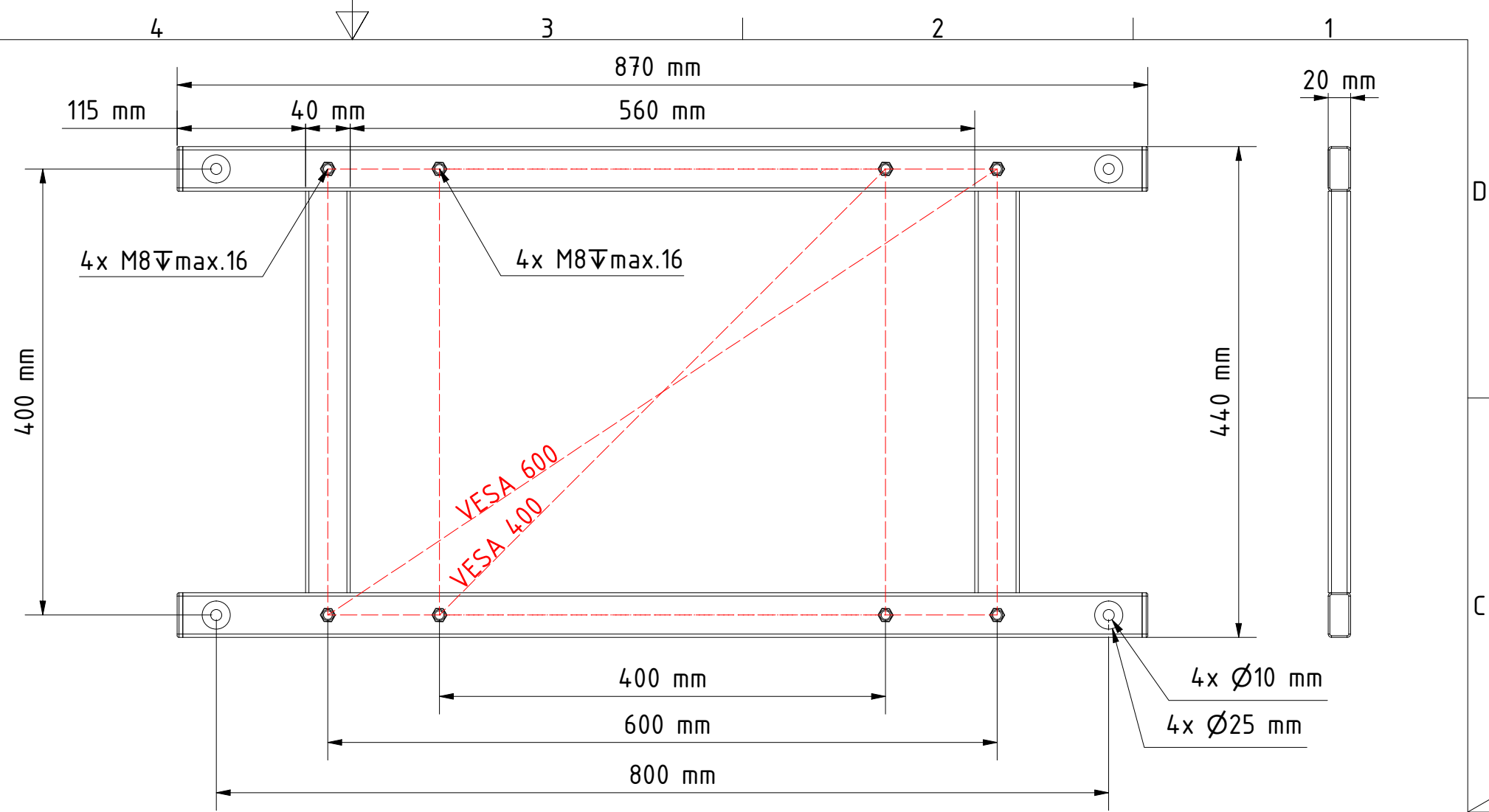


**Important**  
 Installation only by qualified technicians.  
 Always inspect this product prior to any installation and check for damages etc.  
 Always use all four 10 mm mounting holes.  
 Always use all four M8 threads  
 Always use the correct fasteners:  
 4x M8x20 Screws DIN 912, 4x M8 washers DIN 125  
 Only use with compatible displays.  
 Make sure the structure carrying the overall weight is stable.  
 Only for indoor usage.  
 Only for vertical usage. (no tilting etc.)  
 Only use in the pictured orientation.  
 Do not exceed the maximum load weight of 100 kg.



|        |            |  |                            |   |                  |
|--------|------------|--|----------------------------|---|------------------|
|        |            | <small>© COPYRIGHT EXACT SOLUTIONS<br/>         This print and the information shown thereon, is the property of EXACT SOLUTIONS. It may not be delivered to others nor reproduced for general circulation without the written consent of the EXACT SOLUTIONS.</small> |                            | Material:   | Revision: 00     |
|        |            |  |                            |   | Weight: 4.500 kg |
|        |            | Date   | Name                       | <b>Title:</b><br>Adapter Frame for Displays VESA 800x400 to 600x400 and 400x400 |                  |
|        |            | Author   | 20/09/2021 Victor Ibanescu |   |                  |
|        |            | Checked  |                            |   |                  |
|        |            | Approved   |                            |   |                  |
|        |            | Dimensions in mm   |                            | <b>Part Nr.:</b><br>ABD-846444  |                  |
| Status | Change log | Date   | Name                       | SCALE:<br>1 : 5<br>A3   |                  |
|        |            |  |                            | Number of pages: 1/1  |                  |