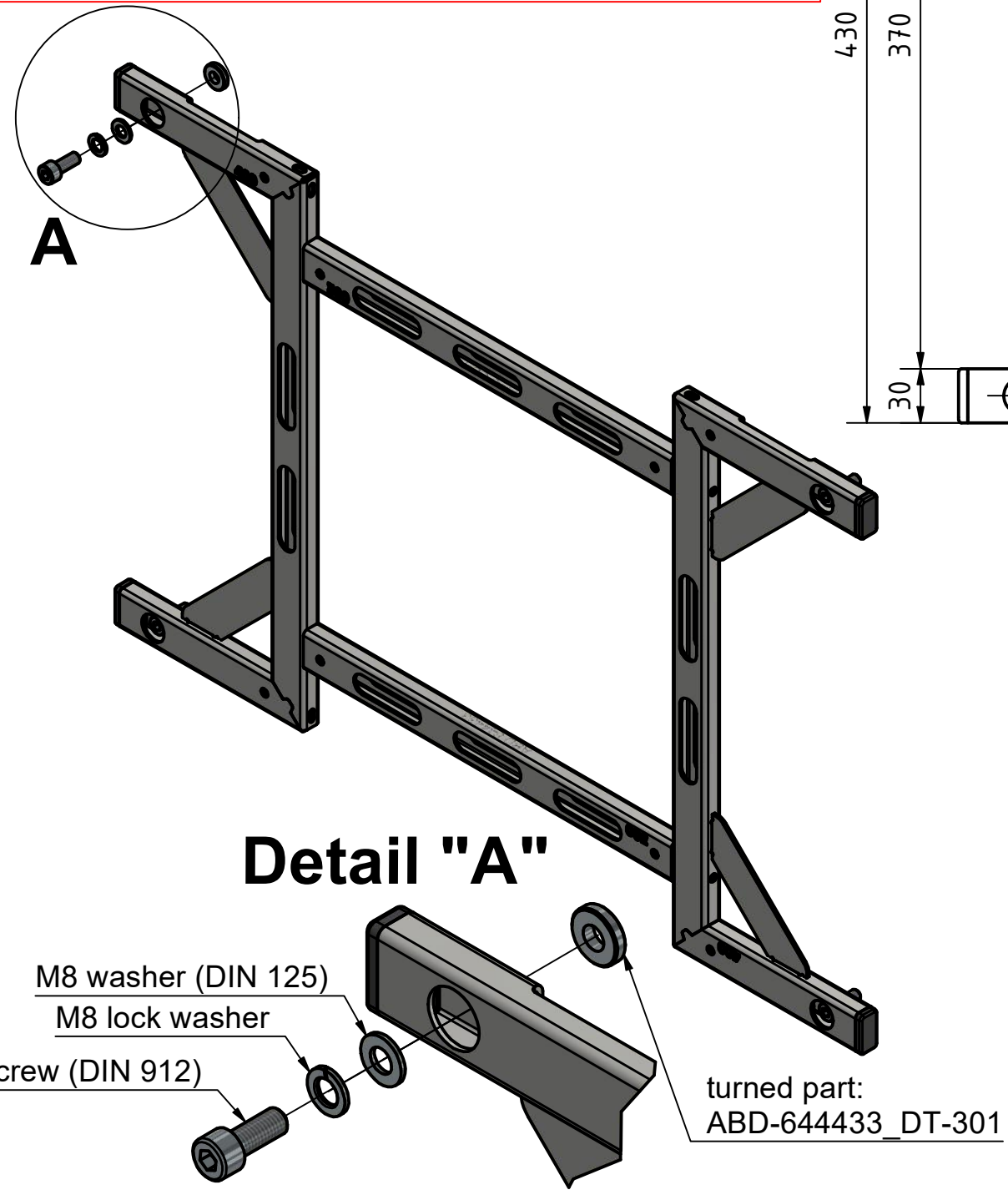
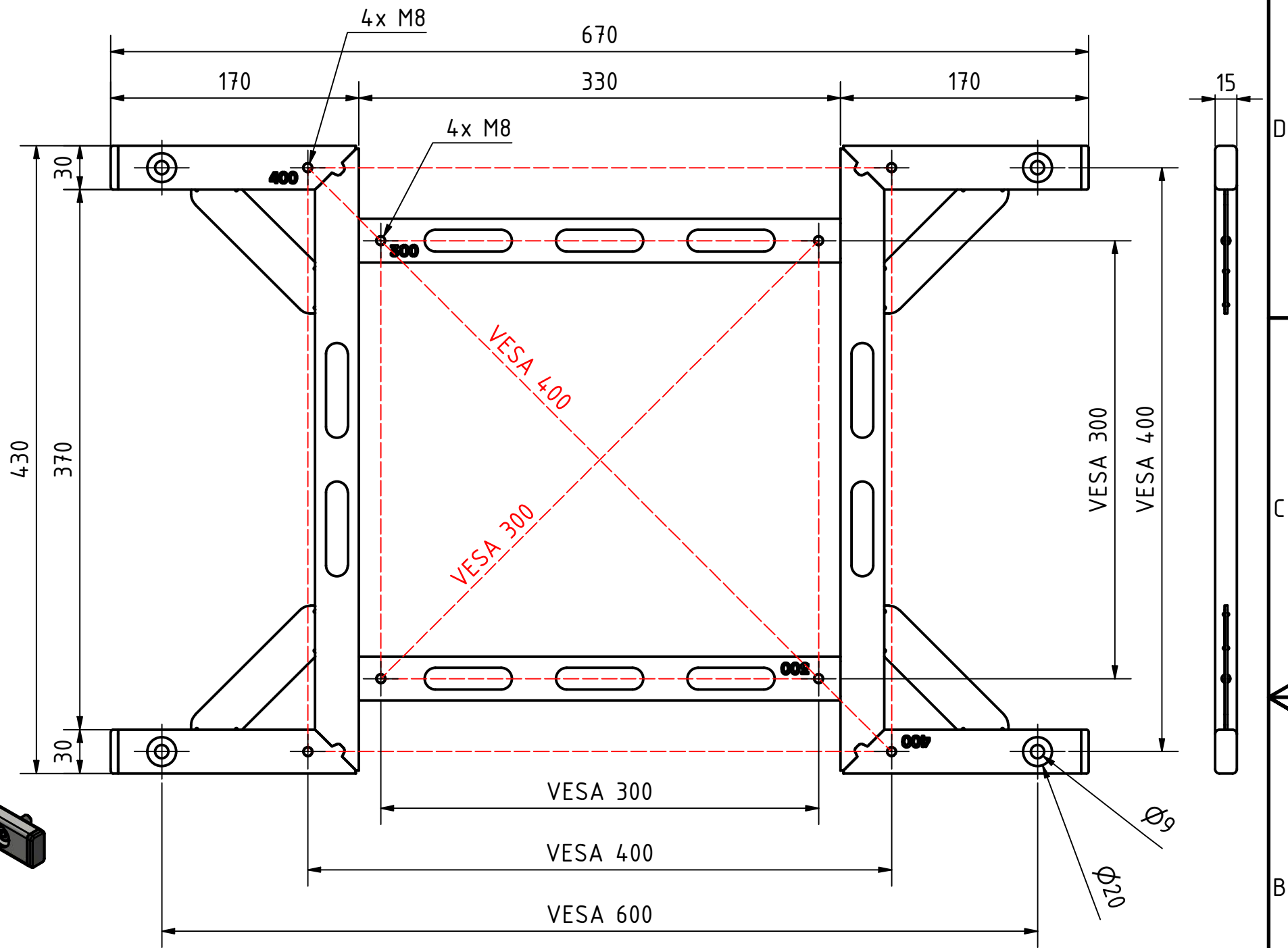


**Important**  
 Installation only by qualified technicians.  
 Always inspect this product prior to any installation and check for damages etc.  
 Always use all four 9 mm mounting holes.  
 Always use all four M8 threads  
 Always use the correct fasteners:  
 4x M8x20 Screws DIN 912, 4x M8 washers DIN 125  
 4x M8 lock washer, turned part: ABD-644433\_DT-301  
 Only use with compatible displays.  
 Make sure the structure carrying the overall weight is stable.  
 Only for indoor usage.  
 Only for vertical usage. (no tilting etc.)  
 Only use in the pictured orientation.  
 Do not exceed the maximum load weight of **85 kg**.



**Detail "A"**

- M8 washer (DIN 125)
- M8 lock washer
- M8x20 screw (DIN 912)
- turned part: ABD-644433\_DT-301

		<small>© COPYRIGHT EXACT SOLUTIONS          This print and the information shown thereon, is the property of EXACT SOLUTIONS. It may not be delivered to others nor reproduced for general circulation without the written consent of the EXACT SOLUTIONS.</small>		Material:	Revision: 00
				Supplier:	Weight: 3,000 kg
		Date	Name	<b>Title:</b> Adapter Frame for Displays VESA 600x400 to 400x400 and 300x300	
		Author	15.04.2020 Frank Scholven		
		Checked			
		Approved			
		<small>Dimensions in mm          Angles ±X.X°          Unless specified, tolerance is ±0,1mm</small>		PartNr.: ABD-644433	SCALE: 1:3,5
Status	Change log	Date	Name	Number of pages: 1/1	