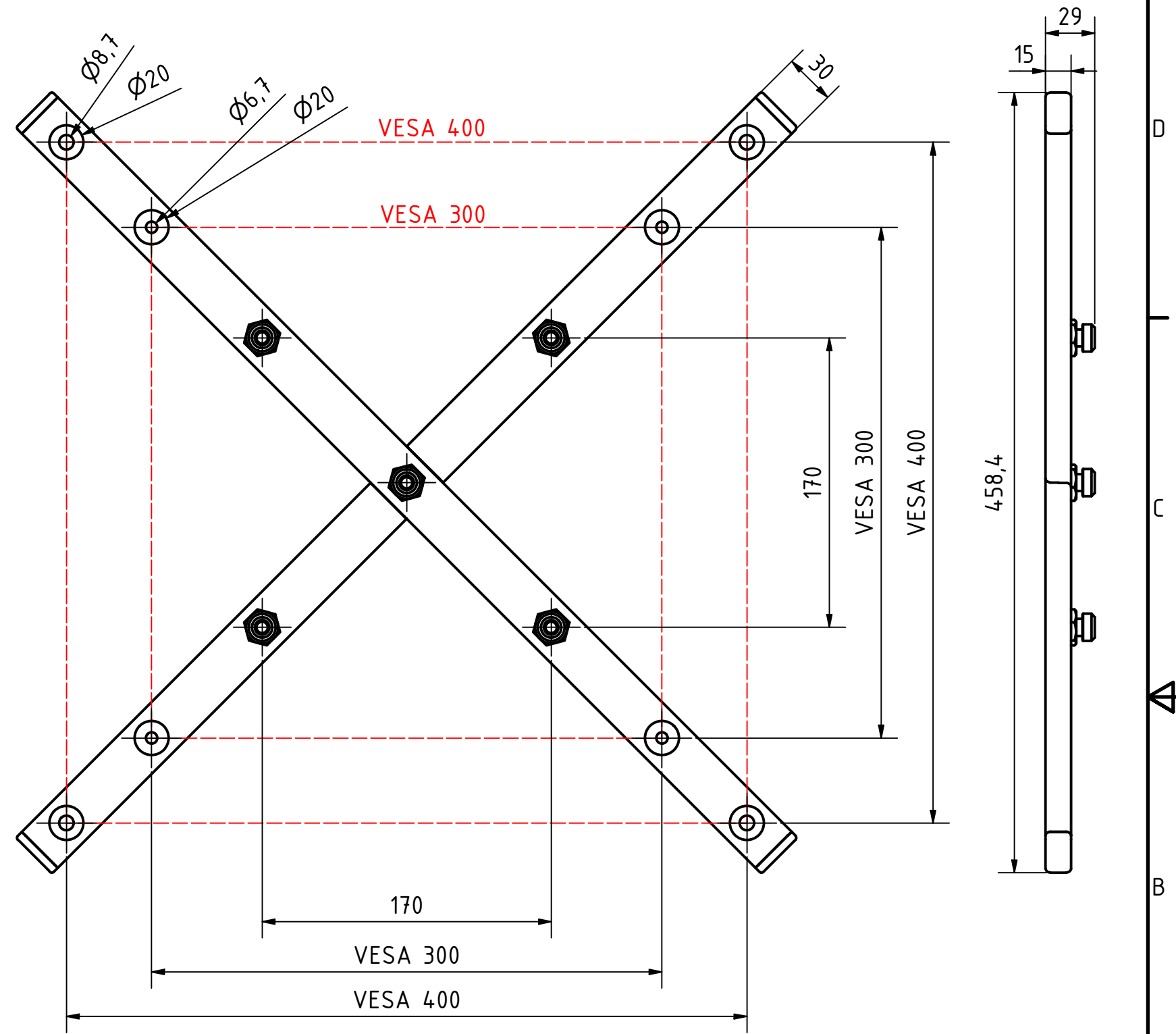
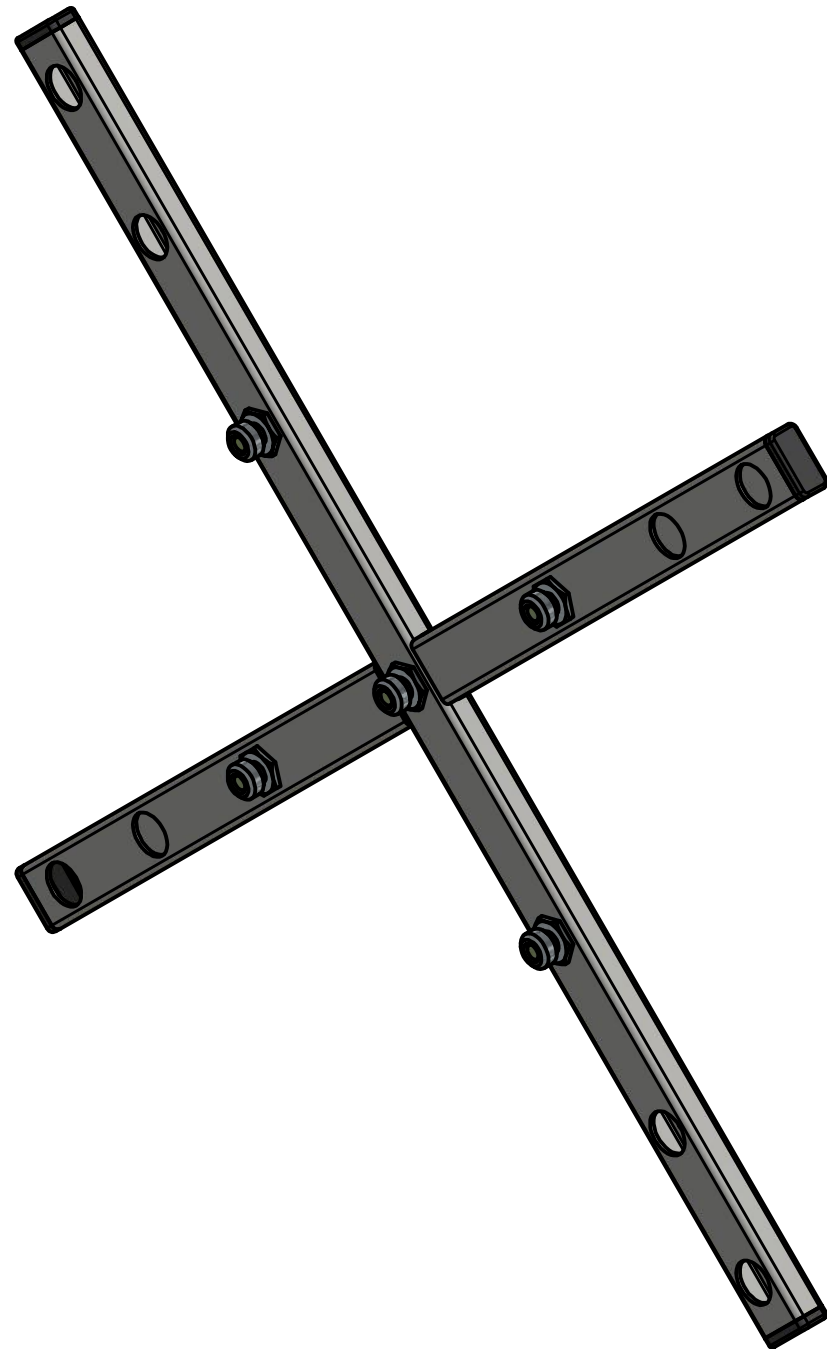


Important

Installation only by qualified technicians.
 Always inspect this product prior to any installation and check for damages etc.
 Always use all four 8,7 mm (VESA 400) or orall four 6,7 mm (VESA 300) mounting holes.
 Always use the correct fasteners (VESA 400):
 4x M8x20 Screws DIN 912, 4x M8 washers DIN 125
 Always use the correct fasteners (VESA 300):
 4x M6x16 Screws DIN 912, 4x M6 washers DIN 125
 Only use with compatible displays.
 Make sure the structure carrying the overall weight is stable.
 Only for indoor usage.
 Only for vertical usage. (no tilting etc.)
 Only use in the pictured orientation.
 Do not exceed the maximum load weight of **100 kg**



		© COPYRIGHT EXACT SOLUTIONS This print and the information shown thereon, is the property of EXACT SOLUTIONS. It may not be delivered to others nor reproduced for general circulation without the written consent of the EXACT SOLUTIONS.		Material:	Revision: 00
				Supplier:	Weight: 2,000 kg
		Date	Name	Title: Adapter Cross Frame for Displays VESA 400x400 and 300x300 to 5pin	
		Author	03.04.2020 Frank Scholven		
		Checked			
		Approved		PartNr.: ABD-multi405	
		Dimensions in mm Angles ±X.X° Unless specified, tolerance is ±0,1mm			
Status	Change log	Date	Name	SCALE: 1 : 3 A3	
				Number of pages:	1/1