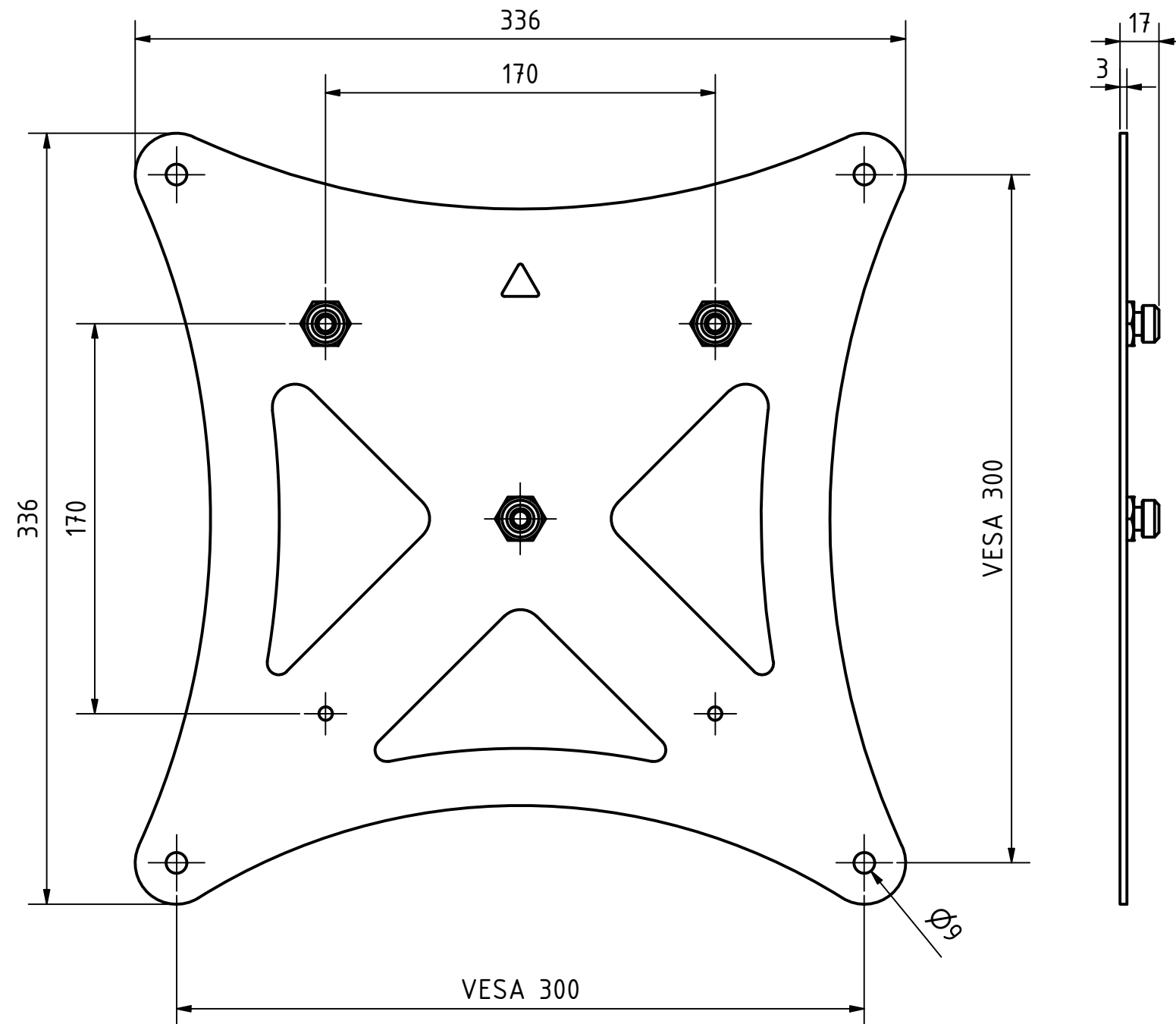
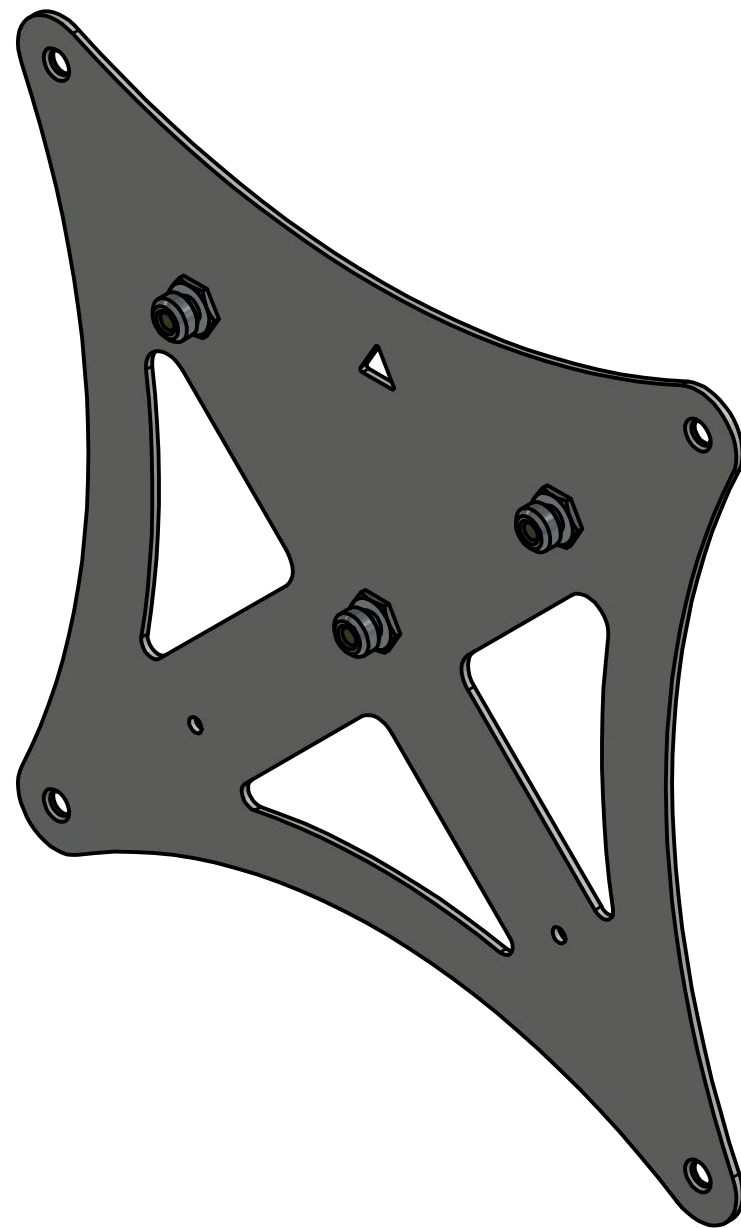


**Important**

Installation only by qualified technicians.  
 Always inspect this product prior to any installation and check for damages etc.  
 Always use all four 9 mm mounting holes.  
 Always use the correct fasteners: 4x M6x12 Screws DIN 7991  
 Only use with compatible displays.  
 Make sure the structure carrying the overall weight is stable.  
 Only for indoor usage.  
 Only for vertical usage. (no tilting etc.)  
 Only use in the pictured orientation.  
 Do not exceed the maximum load weight of **60 kg**.



		© COPYRIGHT EXACT SOLUTIONS <small>This print and the information shown thereon, is the property of EXACT SOLUTIONS. It may not be delivered to others nor reproduced for general circulation without the written consent of the EXACT SOLUTIONS.</small>		Material:	Revision: 00
				Supplier:	Weight: 2,000 kg
		Date	Name	Title: Adapter Plate for Displays VESA 300x300 to 3Pin	
		Author	14.04.2020 Frank Scholven		
		Checked			
		Approved			
		Dimensions in mm Angles ±X.X' Unless specified, tolerance is ±0,1mm		PartNr.: ABD-300	SCALE: 1:2,5
Status	Change log	Date	Name	Number of pages: 1/1	