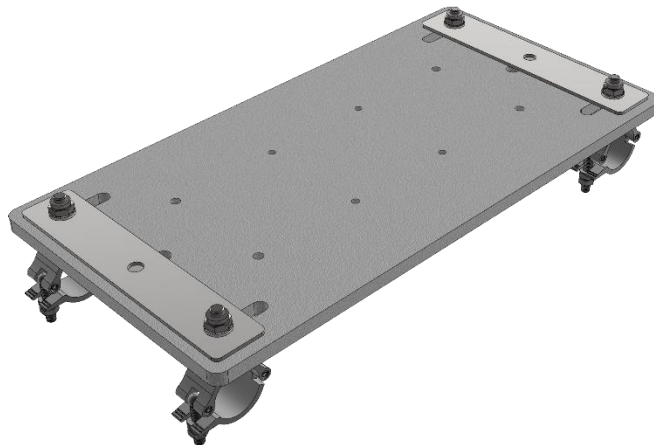


PF-UNI-PORAD-L Series Portrait Adapter Large

Manual Version 1.3



Date	Revision No.	Author	1 st Check	Final Check	Description
01.12.2016	1.0	VIU	DWN	TSN	First Draft
02.01.2020	1.1	VIU	DWN	TSN	Layout change
24.01.2024	1.3	GJN	VIU	RBR	Complete revision

Frames compatible with the Portrait Adapter:

- FRAME-EVO-P30
- FRAME-EVO-P31H

Contact

Tel.: +49 2204 9485 30

E-Mail: info@exactsolutions.de

Web: www.exactsolutions.de

Table of content

1. IMPORTANT SAFETY NOTICE	3
2. WHAT'S IN THE BOX?	7
3. OPTIONAL ACCESSORIES.....	9
4. FITTING THE EVO-LINK 201 / ET-PFD165TMS2 WITH THE PORTRAIT ADAPTER LARGE.....	11
5. ATTACHING THE PORTRAIT ADAPTER LARGE TO THE FRAME.....	12
5.1 Adjusting the clamp position.....	12
5.2 Attaching to the frame	13
6. SYSTEM MAINTENANCE AND INSPECTION (RE-EXAMINATION).....	15
Imprint.....	19

Manual PF-UNI-PORAD-L Series

Tools required:



- 1 x Nr. 17 Screw wrench
- 1 x Nr. 13 Screw wrench



- 1 x Nr. 6 Allen key



- 1 x Universal torque wrench

These installation instructions must always be handed over to the installing person¹

Read these instructions carefully before installing the system.

¹ Only a qualified person should install this product

1. IMPORTANT SAFETY NOTICE

Congratulations on your purchase of the PF-UNI-PORAD-L Series Portrait Adapter Large from EXACT solutions.

Please read very carefully the instructions provided in this manual and you will find all the information needed for a safe and fast installation.

After the installation is done properly, you can enjoy all the features of your new product.

Please consider keeping the original box and packaging materials in case you ever need to ship the Portrait Adapter.

Model number for Frames with 30mm Pipe diameter (P30):

PF-UNI-PORAD-L-AA, PF-UNI-PORAD-L-AAUS

Model number for Frames with 40mm Pipe diameter (P31H):

PF-UNI-PORAD-L40-AA, PF-UNI-PORAD-L40-AAUS

INTENDED USE

The Portrait Adapter Large Series is intended for use by fully qualified, trained, and competent persons as an aid to provide safe and secure installation and adjustment of projector frames.

Only use the Portrait Adapter Large with the projector frame in a closed environment (conference rooms, theatres, convention halls, etc.) where there is no wind, moisture, heat, etc.

Make sure that only the corresponding projector frames are installed with this Portrait Adapter Large! Do not try to use it with other projector frames because serious accidents can occur!

Manual PF-UNI-PORAD-L Series

WARNING

Installation work should only be carried out by a qualified technician.

- If this product is not installed correctly, serious accidents may result.

Do not use the Portrait Adapter Large outdoors.

- This product is made only for indoor usage. If the Portrait Adapter Large is installed outdoor there are many influences like wind or rain that can influence the stability of the whole system. This can cause serious accidents and property damage.



Do not hang the Portrait Adapter Large on unstable structures.

- If the Portrait Adapter Large is hanged on an unstable structure, the entire system can fall, and injuries may occur. Make sure that the construction on which the Portrait Adapter Large is hanged can support a total weight of 200 kg (440.924 lbs.).



Make sure to not exceed the maximum weight load limits (WLL)

- For suspended installations, use only designated hanging accessories, like EVO-LINK-200 series.
- When installing the Portrait Adapter Large with the EVO-LINK-200 series make sure to not exceed the maximum weight load limits of 150 kg (330.69 lbs.)



Do not install the Portrait Adapter Large while people are present under the installation zone.

- When installing the projector, make sure no one is in the area underneath the installation zone. **Otherwise, serious accidents may occur if the projector is dropped during installation.**



Manual PF-UNI-PORAD-L Series

Always secure the frame to the rigging truss with safety cable.



- The frame should always be secured with an appropriate safety cable so that in case of a malfunction it doesn't fall more than 5cm. Please consult the local laws or regulations regarding the additional safety of hanging equipment.

CAUTION

Before installing the projector frames with the Portrait Adapter Large, please read the projector's user manual and the frame installation guide.

- The Portrait Adapter Large with the projector and the projector frame must be installed only in an environment that is recommended by the projector manufacturer.

Minimum 2 persons are required to install the Portrait Adapter Large.

- With regard to the overall weight of all necessary installation devices, make sure to handle those with at least two people.

Make sure that the structure from which you hang the Portrait Adapter Large and the projector frame is capable of carrying the overall weight of approx. 200 kg (440.924 lbs.) plus cabling etc.

- Prior to any installation, you have to do a visual inspection to make sure that the setup is in a good condition.

Always double check the clamps against fissures and loose screws.

- Before and after the setup please perform a visual inspection of the clamps and make sure that they are not damaged or bended.
- Also make sure that the main screw (the one that is used for securing the clamps jaws together) is not damaged and the two nuts are properly tightened.

RISK SITUATIONS

Risk of injury due to the possibility of falling objects during the assembly or disassembly of the Portrait Adapter Large

- Protection objective: avoid injury from falling parts.
- Wear appropriate safety shoes, gloves and helmet.
- Make sure the area is clear under the frame during installation.

Risk of hitting the head with the Portrait Adapter Large during the hanging setup process

- Protection objective: avoid injury from hitting the head.
- Wear a helmet.

Incorrect installation may lead to certain parts of the Portrait Adapter Large or the entire Portrait Adapter Large to fall.

- Protection objective: prevent personal injury and property damage.
- Double check the Portrait Adapter Large and its installation.

Insufficient load capacity of the supporting structure may lead to certain parts of the Portrait Adapter Large or the entire Portrait Adapter Large to fall.

- Protection objective: prevent personal injury and property damage.
- Provide adequate dimensioning of the supporting structure.
- Ensure correct installation of the supporting structure.

Missing components



- Protection objective: prevent personal injuries and property damage.
- Always check prior to every installation that there are no missing parts.

Manual PF-UNI-PORAD-L Series



Loose components

- Protection objective: prevent personal injuries and property damage.
- Always check prior to every installation if there are no loose parts.

2. WHAT'S IN THE BOX?

	<p>PF-UNI-PORAD-L Portrait Adapter Large</p> <ul style="list-style-type: none">• Used for hanging projector frames in portrait mode. WLL 150kg • Number of units: 1;• Including:<ul style="list-style-type: none">- 4 x 30-35mm ClampOr- 4x 38-41mm Clamp (PF-UNI-PORAD-L40)- 4 x 10mm RippLock™ Zinc-Plated washers 400-500 HV;- 4 x M10x50 DIN912 Zinc-Plated Steel-Class 8.8;- 4 x M10 DIN 980 Zinc-Plated Steel-Class 8*;• Weight: 7 kg / 15.432 lbs; <p><small>*do not change by any case the DIN980 nuts with other types of nuts (normal DIN 934 or DIN 985 Nylon-insert).</small></p>
---	---




Manual PF-UNI-PORAD-L Series

<p>1)</p> 	<p>1) 4 x M8 ISO 4035 Zinc-Plated Steel-Class 4;</p>
	<p>User manual and installation guide: PF-UNI-PORAD-L Series Portrait Adapter Large</p>

Make sure your box contains everything you ordered. If any pieces are missing, contact the seller.

3. OPTIONAL ACCESSORIES

The optional accessories must be purchased separately. They are not included in the standard package!

	<p>EVO-LINK-200</p> <p>Optional accessory for ceiling mount installations. It has M8 and M6 mounting screws.</p> <p><i>More information can be found in the "EVO-LINK-200 series" manual.</i></p>
	<p>EVO-LINK-201</p> <p>Optional accessory for ceiling mount installations. It has M8 and M6 mounting screws and additional fine adjustment.</p> <p><i>More information can be found in the "EVO-LINK-200 series" manual.</i></p>
	<p>EVO-LINK-210</p> <p>Optional accessory for ceiling mount installations with crossbeam and two clamps. It has M8 and M6 mounting screws.</p> <p><i>More information can be found in the "EVO-LINK-200 series" manual.</i></p>



EVO-LINK-211

Optional accessory for ceiling mount installations with crossbeam and two clamps.

It has M8 and M6 mounting screws and additional fine adjustment.

More information can be found in the "EVO-LINK-200 series" manual.



EVO-LINK SK

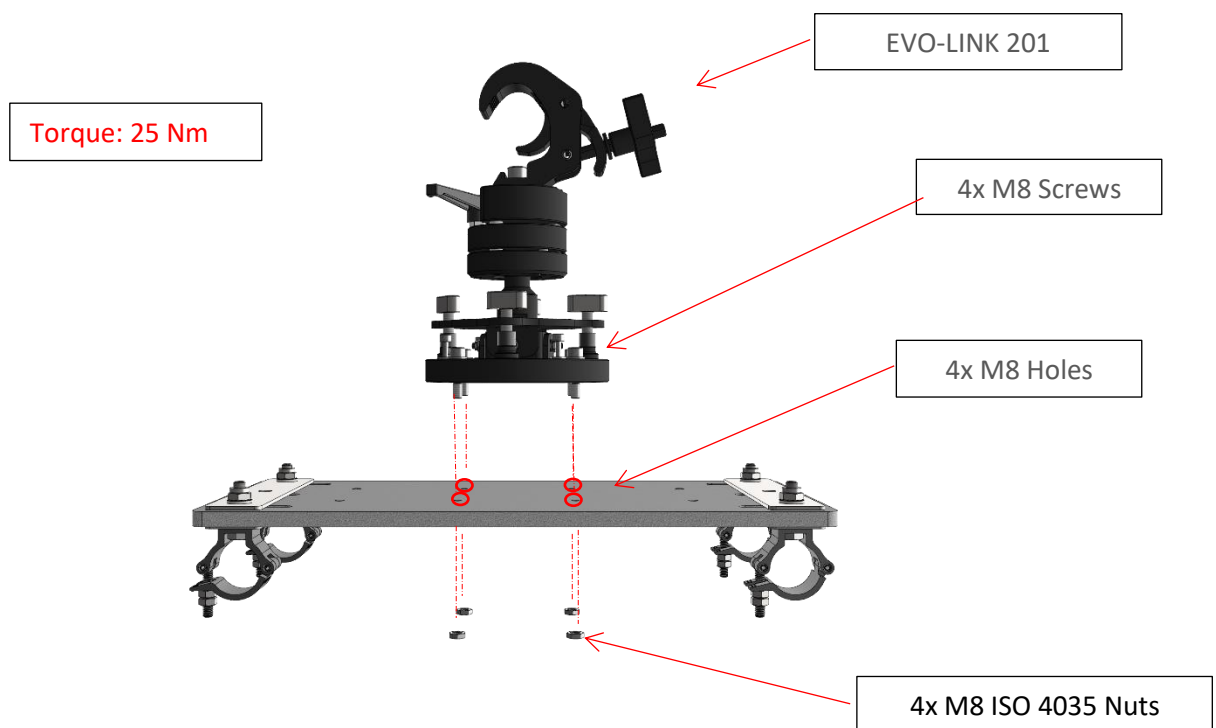
The EVO-LINK Safety Kit consists of two rigging slings with steel cable insert and two shackles.

4. FITTING THE EVO-LINK 201 / ET-PFD165TMS2 WITH THE PORTRAIT ADAPTER LARGE

Step 1: Place the Portrait Adapter Large on a suitable surface and make sure that the four EVO-LINK 201 M8 screws are aligned with the four M8 Portrait Adapter Large holes.

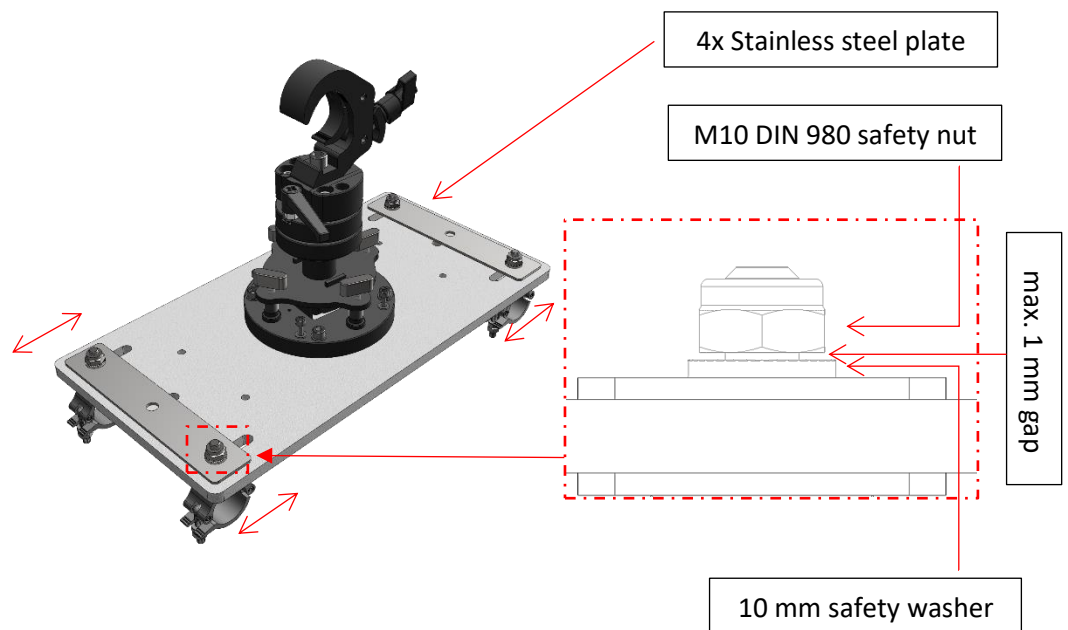
Step 2: Using the Nr.6 allen key, screw the four M8 screws with a torque of 25 Nm.

Step 3: With the help of the Nr 13. screw wrench, tighten the four M8 ISO 4035 nuts to secure the four M8 screws to get loose.



5. ATTACHING THE PORTRAIT ADAPTER LARGE TO THE FRAME

5.1 Adjusting the clamp position



Step 1: Untighten the four M10 DIN 980 safety nuts until there is a gap of max.1 mm between the nut and the 10 mm safety washer.



Do not remove the M10 DIN 980 safety nuts completely because accidents can occur!

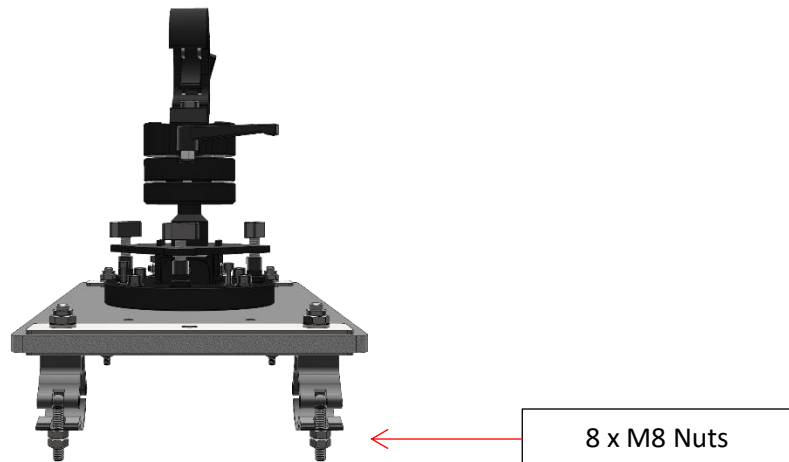
Step 2: Move the rigging clamps together with the four stainless steel plates until the desired position is reached.

Manual PF-UNI-PORAD-L Series

To have a guide before attaching to the frame, the distances between the rigging clamps for the below listed frames are as follows:

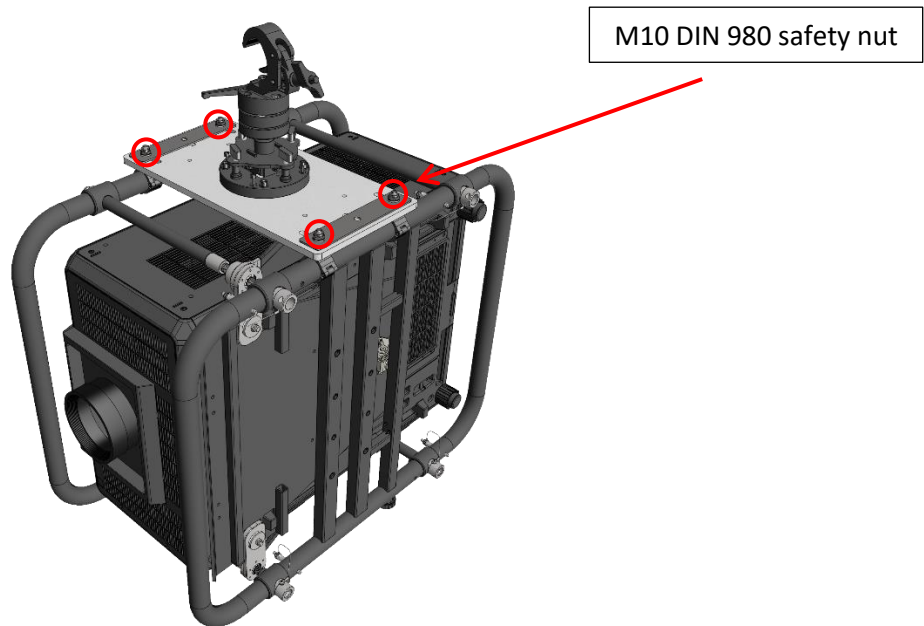
Frame name	Distance between two clamps
FRAME-EVO P30	442 mm / 17,4 in
FRAME-EVO P31H	448 mm / 17,6 in

5.2 Attaching to the frame



Step 1: Open the rigging clamps by loosen the eight M8 nuts on the clamp-threads.

Manual PF-UNI-PORAD-L Series



Step 2: Attach the Portrait Adapter Large to the frame by installing it from the top until the rigging clamps are in contact with the frame pipes. Close the rigging clamps and tighten back the eight M8 nuts using the Nr.13 screw wrench.



Please make sure that the nuts are properly tightened, otherwise accidents can occur!

Step 3: Adjust the PORTRAIT ADAPTER LARGE to the desired position between the bottom and top pipe of the frame by moving the plate body. Make sure that the stainless steel plates are arranged parallel to each other. Now tighten the M10 DIN 980 safety nuts from **Step 5.1** again.



Please make sure that the nuts are properly tightened, otherwise accidents can occur!

6. SYSTEM MAINTENANCE AND INSPECTION (RE-EXAMINATION)

The Portrait Adapter Large does not require special maintenance but a **visual inspection** must be done **prior to every installation** in which the Adapter is involved:

- Please make a visual inspection to be sure that all the screws are in the right place and none are missing;
- Please control the Portrait Adapter Large plate threads (presented in chapter 4) to be sure that none is destroyed.
- Make sure that the screws, the rigging clamps, the stainless-steel plates and all the components are not damaged and no sign of corrosion is present;
- Please control, with corresponding tool (torque screw wrench), that all the screws are properly tightened;
- If any parts are broken or missing, please contact the seller so he can provide the spare parts;



Do not exchange broken or malfunctioning parts with ones that are not accredited by the manufacturer because serious injuries and property damage can occur!

The inspection must be done by a qualified person!

One DGUV V17 inspection must be performed each year. For that, a qualified person needs to disassemble the entire device and carefully check that none of the components are damaged or broken.

Inspections and tests shall be performed according to the manufacturer's instructions and then documented. The tests must be repeated at least annually by an expert.

EC - Declaration of Conformity

We hereby confirm that the following described lifting accessory in its conception, construction and form put by us in circulation is in full accordance with all relevant health and safety requirements and complies with the following EC-directive:

2006 / 42 / EG (EG-Machinery Directive)

This declaration is no longer valid if the lifting accessory is modified without our written consent.

Manufacturer:

EXACT solutions GmbH
Lustheide 85
D-51427 Bergisch Gladbach
Tel.: +49 2204 9485 30

Description of the lifting accessory:

- Function: Hanging System for projector frames in portrait mode: FRAME-EVO P30 / P30US, FRAME-EVO P31H / P31H US, FRAME-Boxer, FRAME-PTRZ31K/RQ32K, FRAME-EPSON-EBL25000
- Type/model: PF-PORAD-UNI-L, PF-PORAD-L-US, PF-PORAD-UNI-L40, PF-PORAD-L40-US
- Serial number: PF-PORAD-UNI-L-AA.xxx, PF-UNI-PORAD-L-US-AA.xxx, PF-PORAD-UNI-L40-AA.xxx, PF-UNI-PORAD-L40-US-AA.xxx
- Year of construction: 2016

The applied harmonized EN - standards include:

- **DIN EN ISO 1200:2010** Safety of machinery – General principles for design – Risk assessment and risk reduction

Further applied standards and regulations include:

- **DIN EN 1991-1** DE: Eurocode 1: Einwirkungen auf Tragwerke (12/2010)
EN: Eurocode 1: Actions on structures (12/2010)
- **DIN EN 1993 -1** DE: Eurocode 3: Bemessung und Konstruktion von Stahlbauten (12/2010)
EN: Eurocode 3: Design of steel structures (12/2010)
- **DIN EN 1999 -1** DE: Eurocode 9: Bemessung und Konstruktion von Aluminiumtragwerken (05/2010)
EN: Eurocode 9: Design of aluminum structures (05/2010)
- **DGVV V17/18** DE: UVV Veranstaltungs- und Produktionsstätten für szenische Darstellung, Stand Januar 2011 (bisher: BGV C1)
EN: Accident Prevention Regulation for Staging and Production Facilities for the Entertainment Industry (formerly BGV C1)
- **DGVV 315-390** DE: Grundsätze für die Prüfung maschinentechnischer Einrichtungen in Bühnen und Studios (bisher: BGG/GUV-G 912)
EN: Fundamentals for testing in stages and studios of the mechanical equipment (formerly BGG/GUV-G 912)
- **BGI 810-3** DE: Lasten über Personen. Sicherheit bei Produktionen und Veranstaltungen von Fernsehen, Hörfunk, Film, Theater, Messen, Veranstaltungen
EN: Safety at Productions and Events – Loads Suspended above Persons

Bergisch Gladbach, 15nd of February 2024

Signature:



Imprint

EXACT solutions GmbH
Lustheide 85
51427 Bergisch Gladbach
GERMANY

Tel.: +49 2204 9485 30

E-Mail: info@exactsolutions.de

Web: www.exactsolutions.de