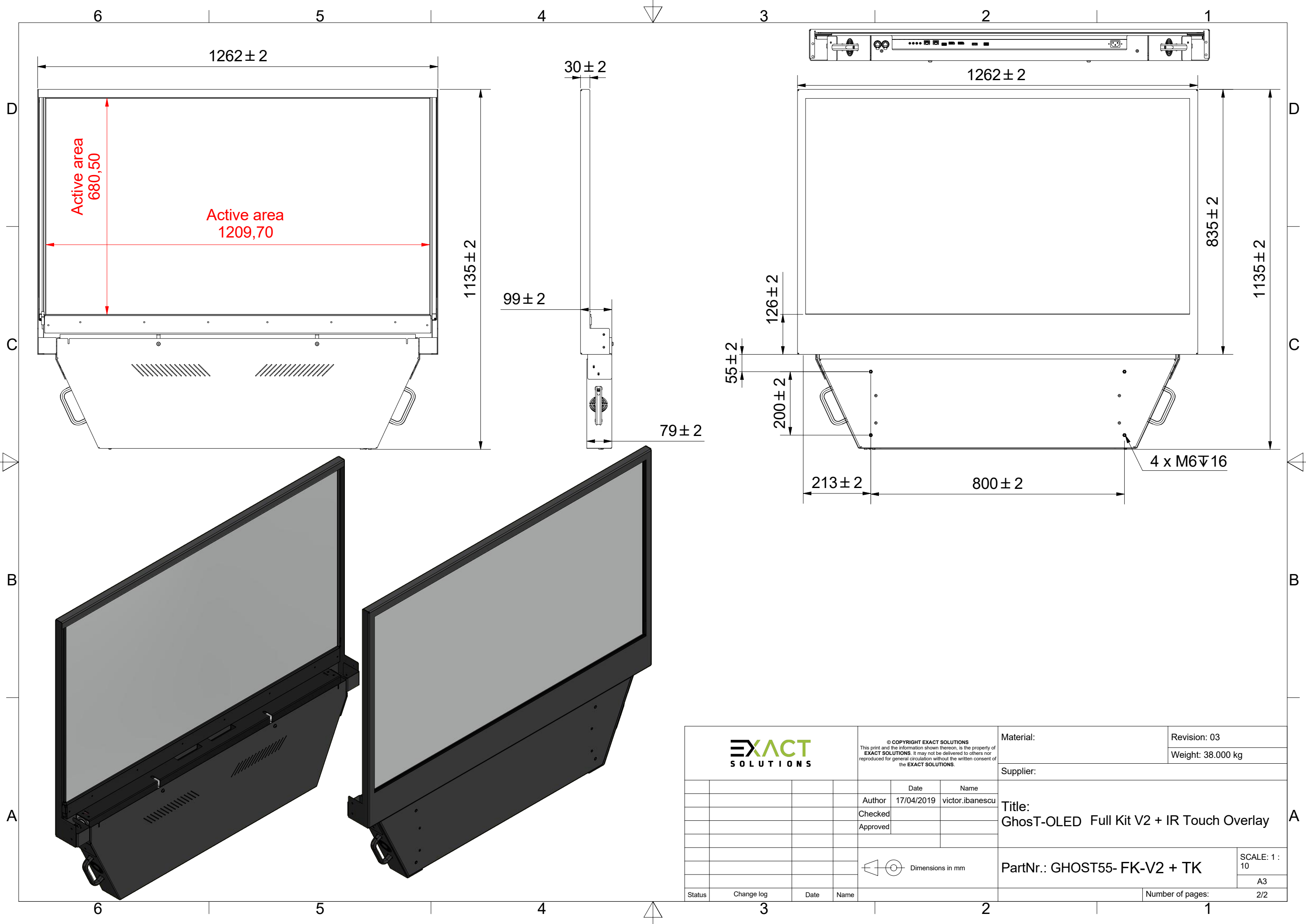


		<small>© COPYRIGHT EXACT SOLUTIONS This print and the information shown thereon, is the property of EXACT SOLUTIONS. It may not be delivered to others nor reproduced for general circulation without the written consent of the EXACT SOLUTIONS.</small>		Material:	Revision: 03
				Supplier:	Weight: 38.000 kg
			Date	Name	Title: GhosT-OLED Full Kit V2 + IR Touch Overlay
		Author	17/04/2019	victor.ibanescu	
		Checked			
		Approved			
			Dimensions in mm		PartNr.: GHOST55- FK-V2 + TK
Status	Change log	Date	Name		SCALE: 1 : 10 A3
					Number of pages: 1/2



		<small>© COPYRIGHT EXACT SOLUTIONS This print and the information shown thereon, is the property of EXACT SOLUTIONS. It may not be delivered to others nor reproduced for general circulation without the written consent of the EXACT SOLUTIONS.</small>		Material:	Revision: 03
				Weight: 38.000 kg	
				Supplier:	
				Title: GHOST-OLED Full Kit V2 + IR Touch Overlay	
				PartNr.: GHOST55- FK-V2 + TK	
				SCALE: 1 : 10	
				A3	
				Number of pages: 2/2	
Status	Change log	Date	Name		