

# radarTOUCH

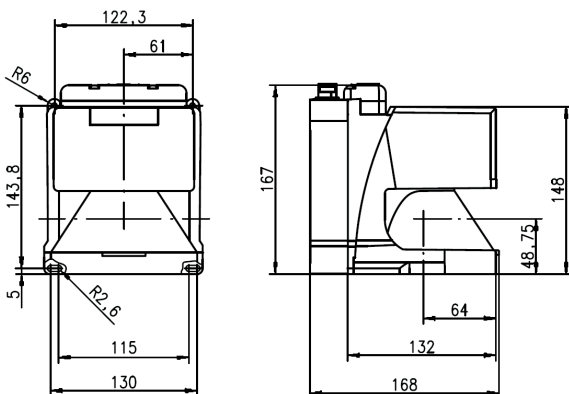
## Datasheet

---



## radarTOUCH

- ▶ reliable tracking for an excellent multiTOUCH workflow
- ▶ immediate software start for automated applications
- ▶ integrated test application for easy configuration of your active image area
- ▶ separate configuration file for professional customisation



With radarTOUCH you can turn any display, surface or even open space into a multiTOUCH screen. Any front or rear projection, plasma, LCD or LED wall could become interactive by using radarTOUCH. Beside single and dual touch, real multiTOUCH is also possible, allowing multiple users to interact in the same application. Each radarTOUCH can create an interactive area of up to 50 meters width.\*<sup>1</sup> If required, multiple units can be linked to cover even larger spaces for interaction.

radarTOUCH provides standard mouse emulation as well as external interface bindings such as TUIO (2Dcur). For other interfaces the radarTOUCH interface is adjustable on demand.

\*<sup>1</sup> metering precision diminishes with increasing distance

# radarTOUCH

## Datasheet

---

### OPTICAL DATA

---

Measurement radius	approx. 25 m, equals 50 m in width
Angular range	max. 180°
Angular resolution	0.36°
Scanning rate	25 scans/s or 40 ms/scan
Transmitter	infrared laser diode, laser class 1 (EN 60825), wavelength = 905 nm, Pmax = 15 W, pulse duration: 3 ns
Average output power	12 µW

### DETECTION FIELDS

---

Object size	> 20 mm at distance of 4 m, > 100 mm at distance of 15 m
Response time	at least 40 ms (corresponds to 1 scan)

### ELECTRICAL DATA

---

Voltage supply	+24 VDC +20 % / -30 %
Overcurrent protection	via fuse 2.5A semi-time-lag in the switching cabinet
Current consumption	approx. 1A (use power supply with min. 2A), approx. 4A (radarTOUCH plus)
Power consumption	< 75 W at 24 V including the outputs
Overvoltage protection	overvoltage protection with protected limit stop

### MECHANICAL DATA

---

Housing	diecast aluminium, plastic
Weight	2.3 kg
Dimensions	140 mm x 168 mm x 167 mm

### ENVIRONMENTAL DATA

---

Temperature	0 °C to 50 °C (operating), -20 °C to 50 °C (storing)
Temperature radarTOUCH plus	-20 °C to 50 °C (operating), -20 °C to 50 °C (storing)

### CERTIFICATION

---

Protection	Class IP65
Laser class	1 (acc. to EN 60825-1 and 21 CFR 1040.10 with laser notice No. 50)
VDE safety class	III, protective extra-low voltage
Certifications	CE, CDRH, c UL US
Standards applied	IEC 60947-5-2, UL 508

### WARRANTY

---

24 months