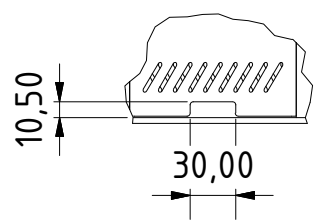
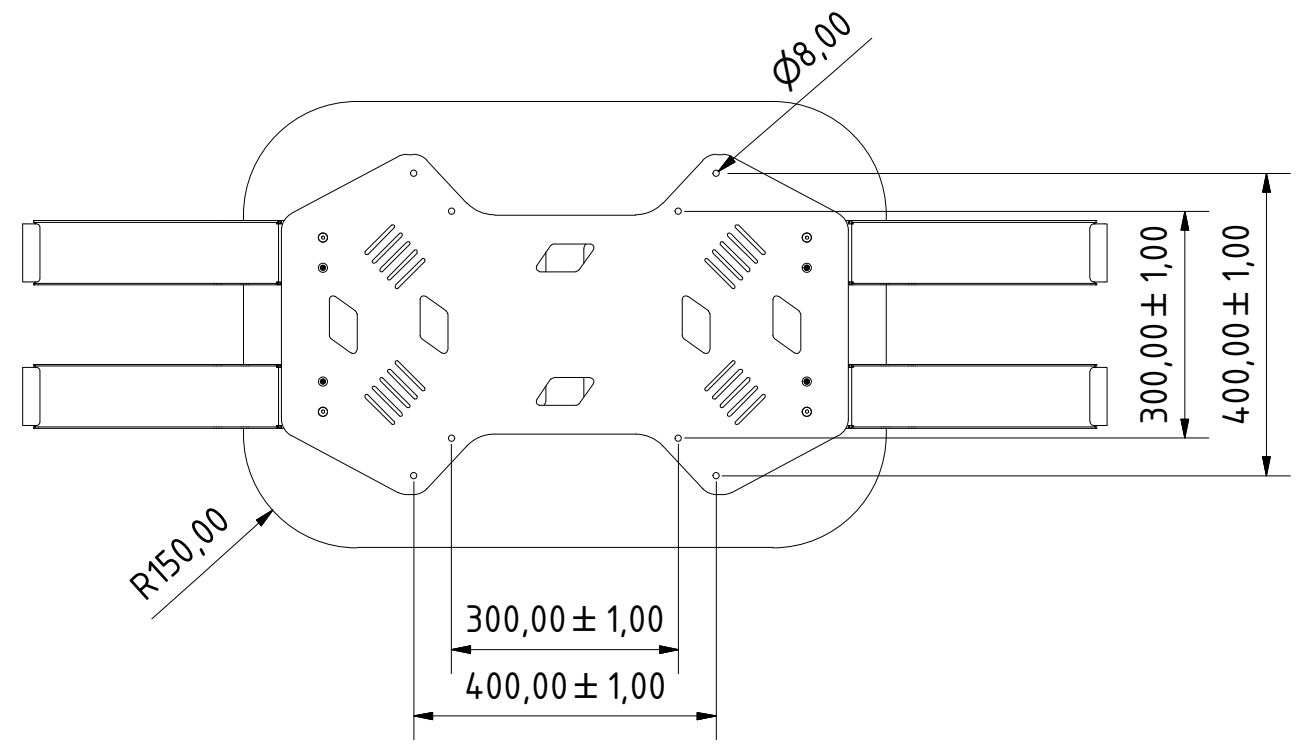
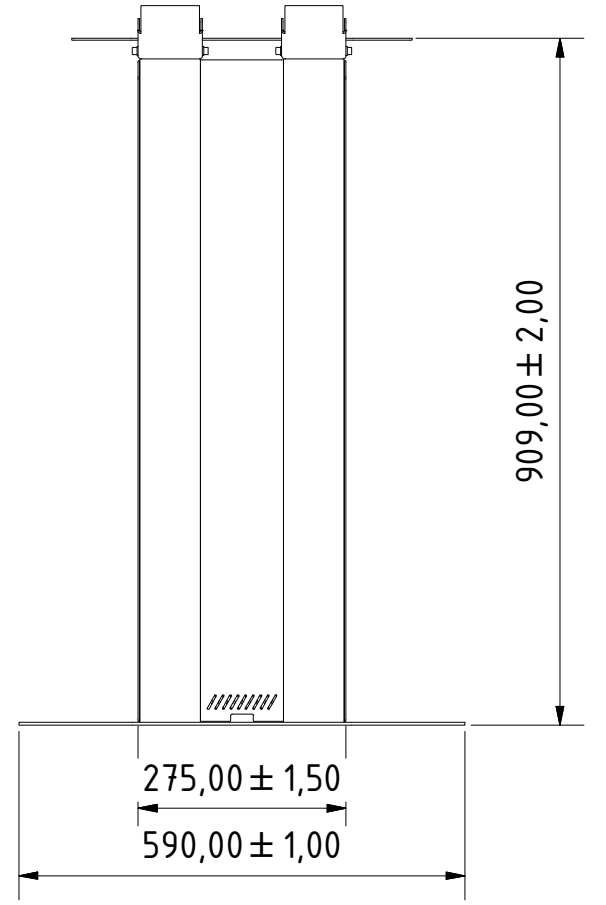
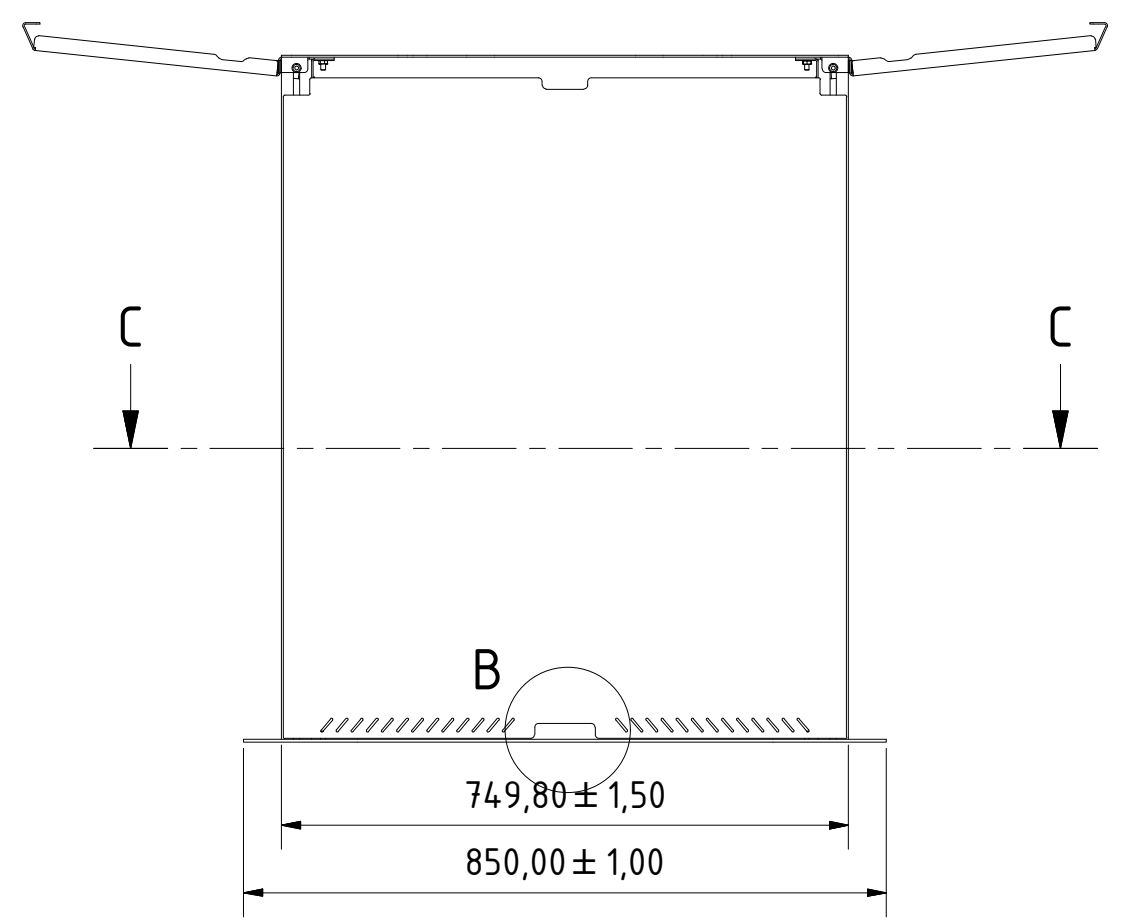
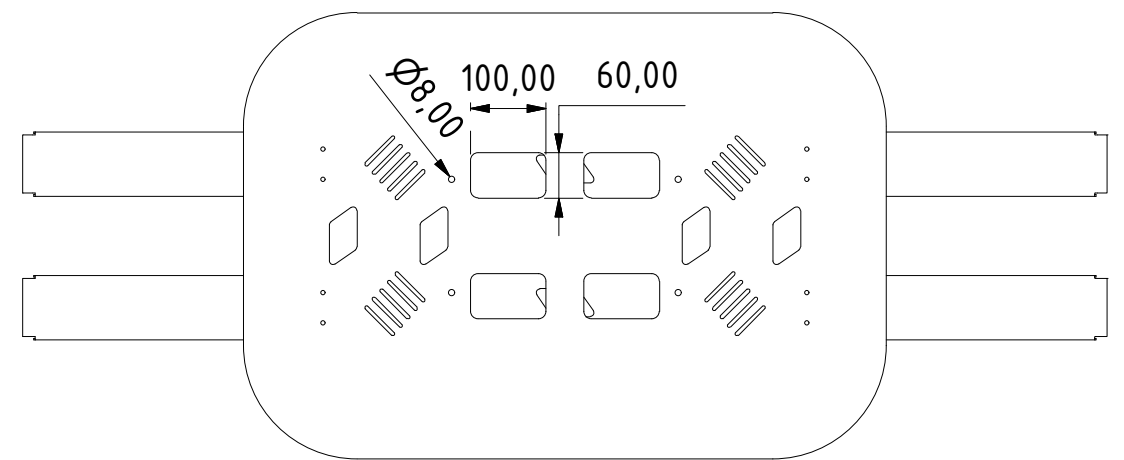
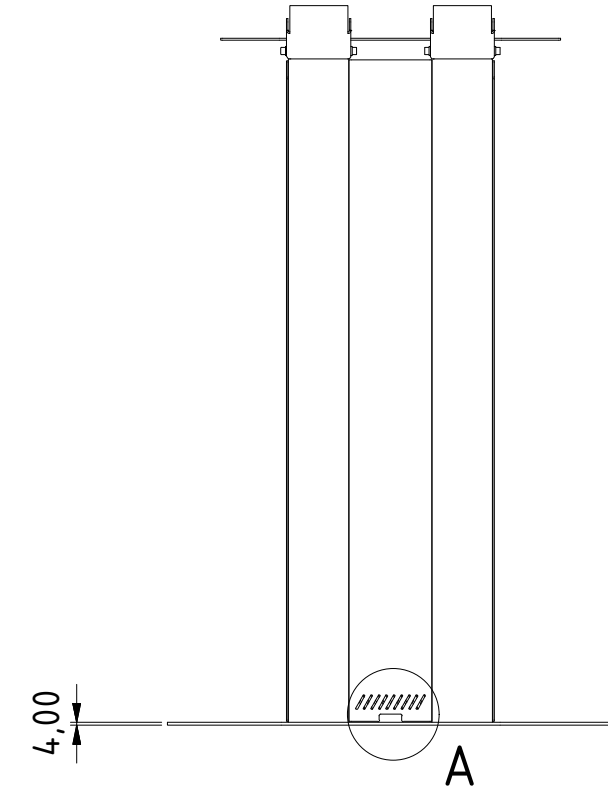
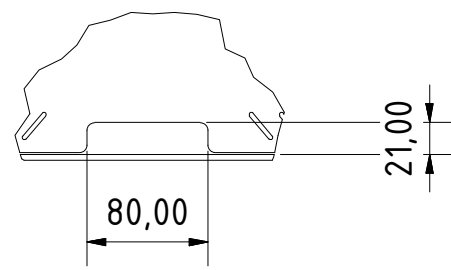


8 7 6 5 4 3 2 1

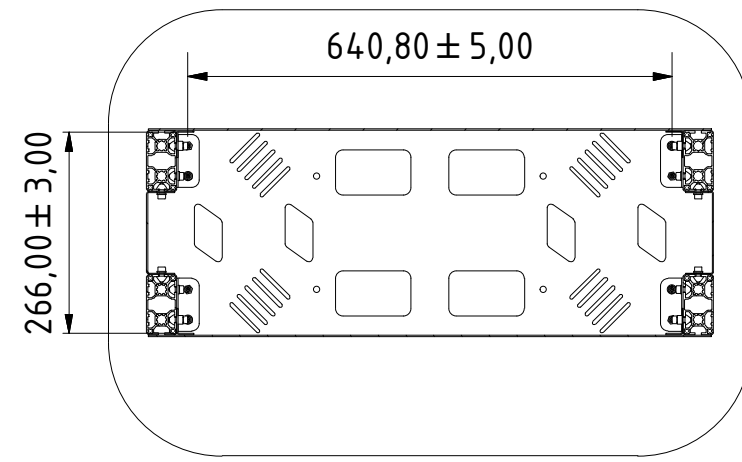
A (1 : 5)



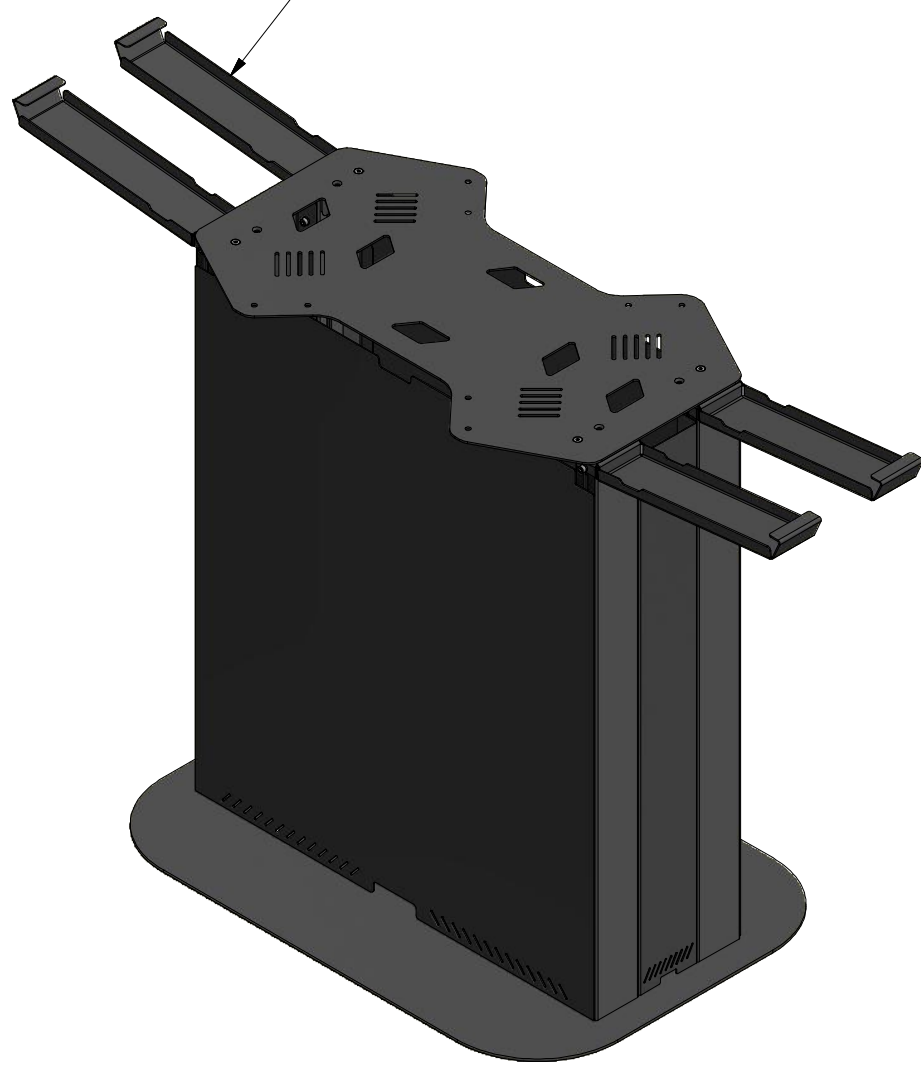
B (1 : 5)



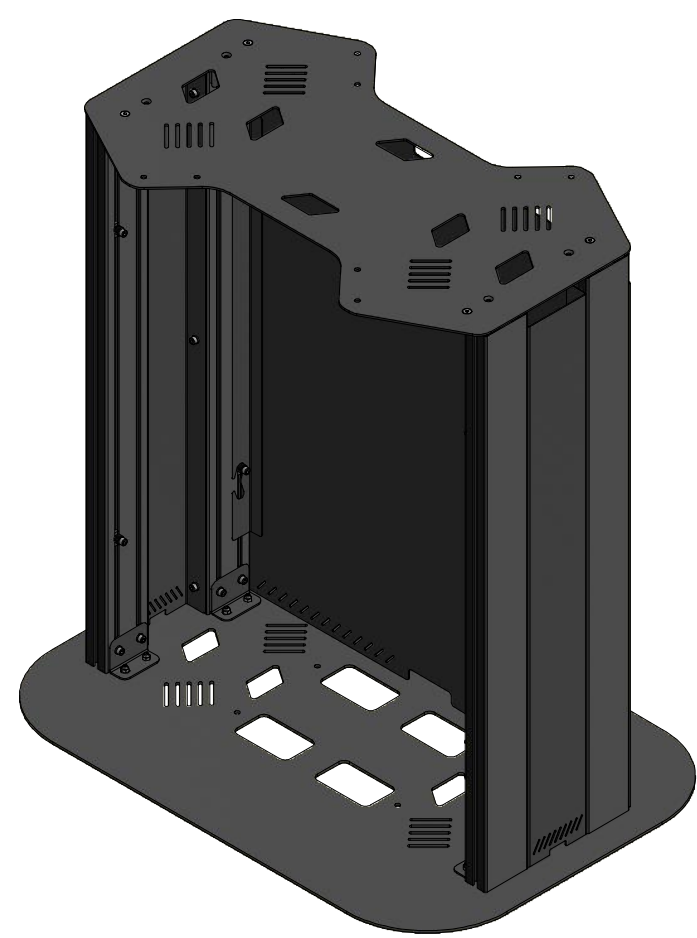
C-C (1 : 10)



Note: Side support for large Displays is an additional part and might need to be redesigned for different displays. LANG AG rental products have this side support included, works for example with: primeTOUCH 65" or onyxTOUCH 65"



With additional side support for onyxTOUCH65 & primeTOUCH65



Without additional side support (one cover removed)



Supplier:		Revision: drafft00	
Material:		Weight: 39,731 kg	
Author	Date	Name	
Checked	04.03.2016	schwirten	
Norm			
Title:			
TouchTable-S			
PartNr.: TouchTable-S_Assembly			1
			A2
Status	Change log	Date	Name

8 7 6 5 4 3 2 1